


**Wet & Air-Tight**
**DESCRIPTION**

4" J-Box Mount LED fixtures with integral LEDs  
Built-in Driver and Twist & Lock Cover

**FEATURES & BENEFITS**

1" Deep - Fits In 1 1/2" Deep J-Box  
Fast & Easy To Install - Save On Labor  
CRI 90+ for True Colour Rendering  
IP54 Wet Location Rated - Suitable For Showers & Soffits

**MOUNTING**

Connect The Wires In The Previously Installed Junction Box.  
Quick Connectors Included.  
Screw The Fixture Into The J-Box.  
Push The Face Plate Against The Fixture By Placing  
The Hooks Into The Four Openings,  
Then Turn Clockwise To Tighten And Lock In Place.

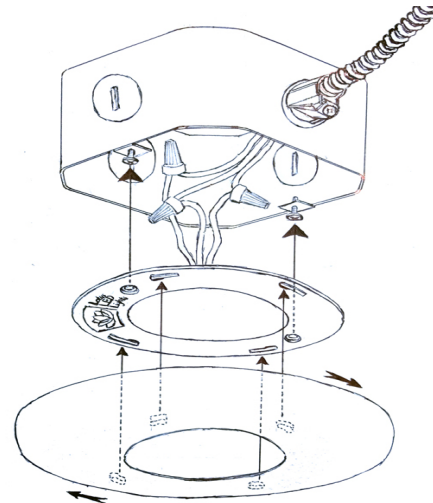
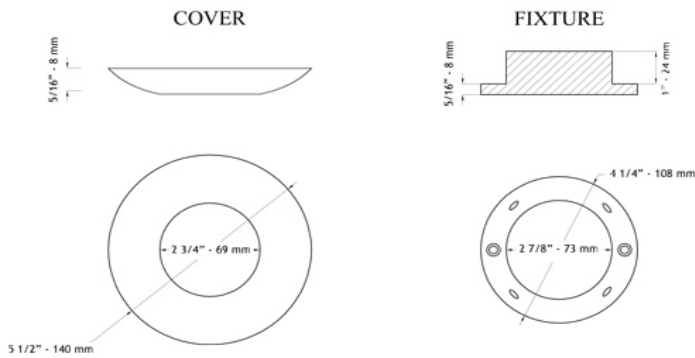
Project: \_\_\_\_\_

Location: \_\_\_\_\_

Cat #: \_\_\_\_\_ Qty: \_\_\_\_\_

Notes: \_\_\_\_\_

SPECIFICATION	
Applications	J-Box Ceiling Mount, Showers
Energy Used	11 W
Colour Temperature K	2700   3000   4100
Light Output lm	620   630   650
Halogen Equivalent	60 W
Beam Angle	110°
CRI	90 +
Input Voltage	120V AC 50/60 Hz
Power Factor	0.95
Approved Location	Wet & Damp Locations
IP Rating	IP 54
Air Tight	Yes
Ambient Temperature	-40°F (-40°C) to +104°F (+40°C)
Projected Life	70% Light Output at 50,000 Hours
Certification	cULus
Warranty	5 Year


**AVAILABLE TRIMS**

**ORDERING GUIDE** Example: **LL4RBX - 30K - WH**

	CCT	Trim Finish	
<b>LL4RBX</b>	-	-	
2700K	<b>27K</b>	<b>WH</b>	White
3000K	<b>30K</b>	<b>BK</b>	Black
4100K	<b>41K</b>	<b>BN</b>	Brushed Nickel

**COMPLIANCE**

**Air-Tight**