

### Type IC, Air-Tight & Plenum Rated



#### DESCRIPTION

Regressed LED fixtures with integral LEDs and built-in driver.  
Commercial Grade Quality With Architectural Design.

#### FEATURES & BENEFITS

- 2" Thin - Fits In Tight Ceiling Spaces
- CRI 92 - True Colour Rendering
- Type IC Rated - No Housing Required
- Open Plenum Rated - Suitable For Commercial Installations
- Fast & Easy To Install - Save On Labour
- Junction Box Included - No Additional Hardware Needed

#### MOUNTING

Cut Hole In Ceiling And Snap Fixture In Opening With Attached Spring Clips.  
2" Above Ceiling Clearance Required. Quick connectors Included.

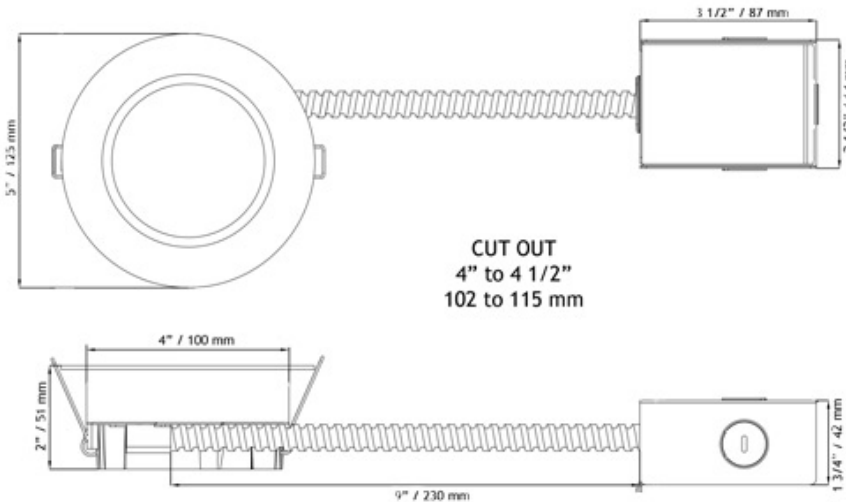
Project: \_\_\_\_\_

Location: \_\_\_\_\_

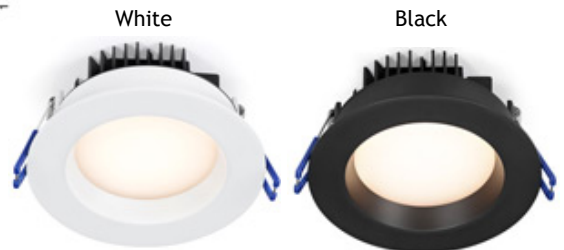
Trim Finish: \_\_\_\_\_ Qty: \_\_\_\_\_

Notes: \_\_\_\_\_

| SPECIFICATION       |   |
|---------------------|---|
| Applications        | Recessed Ceiling Mount  |
| Energy Used         | 14.5 W  |
| Colour Temperature  | 2700 K  |
| Light Output        | 850 lm  |
| Halogen Equivalent  | 75 W  |
| Beam Angle          | 92°   |
| CRI                 | 92  |
| Input Voltage       | 120V AC 50/60 Hz  |
| Power Factor        | 0.99  |
| Dimming             | TRIAC Dimmers 5% - 100%   |
| Approved Location   | Insulated Ceilings & Open Plenum  |
| Air Tight           | Yes   |
| Ambient Temperature | -40° F (-40° C) to +104° F (+40° C)                                       |
| Projected Life      | 70% Light Output at 50,000 Hours  |
| Certification       | cULus, Energy Star, T24   |
| <b>Warranty</b>     | <b>10 Year on Residential</b><br><b>5 Year on Commercial Applications</b> |



Available Trims:



#### COMPLIANCE



## CHARACTERISTICS

**Body:** Durable, Die Cast Aluminum Alloy for Optimal Heat Dissipation.

**Paint:** Oil Based Spray Painted - Scratch Resistant And Smooth Finish.

**LEDs:** 48 Pieces Of Custom Packaged LM80 Epistar 2835. Guaranteed 98% Lumen Maintenance After 6,000 Hours.

Strict Binning To Ensure Consistent Light Colour. CRI 92 for True and Vibrant Colour Rendering.

**Driver:** 5th Generation Lotus Designed.

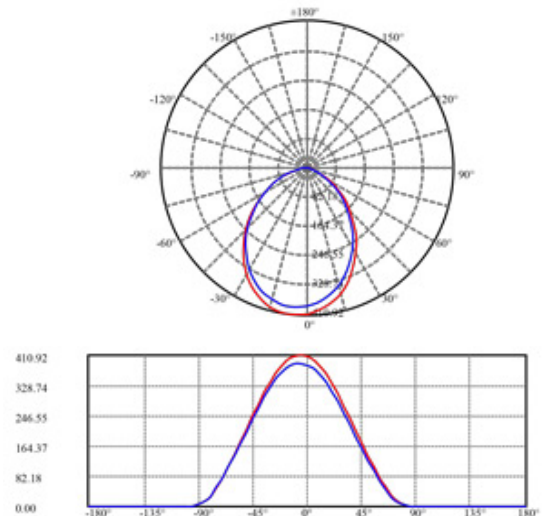
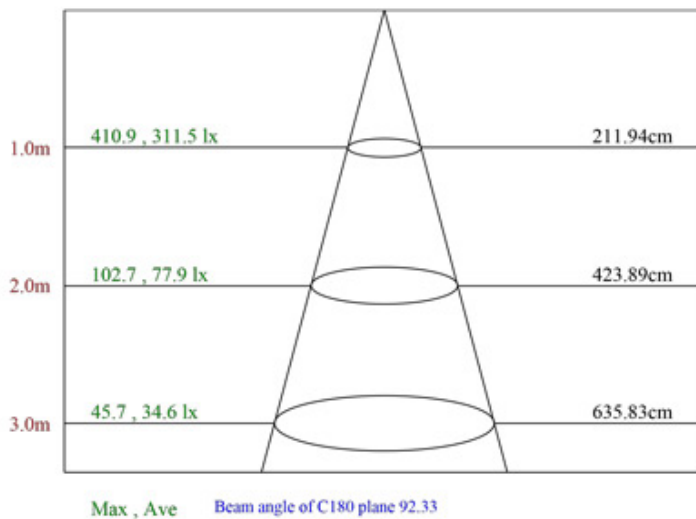
**Junction Box:** Included, Connected To The Fixture By 9" Armored Plenum Rated Cable. Quick Connectors Included For Additional Time Saving.

**Testing:** Every LED Is Visually Checked Before And After The PCB Is Mounted On The Fixture.

Every Fixture Is Powered For Minimum 24 Hours Before Packaging. No Random Tests - We Examine All Fixtures.

## PHOTOMETRIC DATA

|          |            |                    |            |
|----------|------------|--------------------|------------|
| MODEL:   | LL4RRG-27K | LAMP FLUX:         | 855 LM     |
| VOLTAGE: | 120 V      | LUMENS / POWER:    | 61.5 LM/W  |
| POWER:   | 13.89 W    | CENTRAL INTENSITY: | 408 CD     |
| PF:      | 0.987      | BEAM ANGLE:        | 92 DEGREES |



## ORDERING GUIDE

Example: LL4RRG - 27K - WH

LL4RRG - 27K -   
 WH : White  
 BK : Black

## ACCESSORIES

Sold Separately



Rough-In Plates - cat # RIP4



Goof Ring White OD 5 3/4" - cat # GR4

LOTUS LED Lights

**LED lighting facts**  
A Program of the U.S. DOE

|  |                          |
|--|--------------------------|
| <b>Light Output (Lumens)</b>                             | <b>850</b>               |
| <b>Watts</b>   | <b>14.5</b>              |
| <b>Lumens per Watt (Efficacy)</b>                        | <b>58.62</b>             |
| <b>Color Accuracy</b><br>Color Rendering Index (CRI)     | <b>92</b>                |
| <b>Light Color</b><br>Correlated Color Temperature (CCT) | <b>2700 (Warm White)</b> |

Warm White 2700K
Bright White 3000K
Daylight 4500K
6500K

All results are according to IESNA LM-79-2008. Approved Method for the Electrical and Photometric Testing of Solid-State Lighting. The U.S. Department of Energy (DOE) verifies product test data and results.

Visit [www.lightingfacts.com](http://www.lightingfacts.com) for the Label Reference Guide.

Registration Number: K53C-UGTETZ (12/27/2016)  
 Model Number: LL4RRG-27K  
 Type: Luminaire - Downlight



## Warehouses

Vancouver Toronto Las Vegas Naples Philadelphia Dallas Seattle

tel: 1-844-24-LOTUS (56887)

fax: 1-877-561-6306

[www.lotusLEDlights.com](http://www.lotusLEDlights.com)