

Type IC, Air-Tight, Wet & Plenum



DESCRIPTION

Regressed LED fixtures with integral LEDs and built-in driver.
Commercial Grade Quality With Architectural Design.

FEATURES & BENEFITS

- 2" Thin - Fits In Tight Ceiling Spaces
- CRI > 90 - True Colour Rendering
- Type IC Rated - No Housing Required
- Open Plenum Rated - Suitable For Commercial Installations
- Fast & Easy To Install - Save On Labour
- Junction Box Included - No Additional Hardware Needed

MOUNTING

Cut Hole In Ceiling And Snap Fixture In Opening With Attached Spring Clips.
2" Above Ceiling Clearance Required. Quick connectors Included.

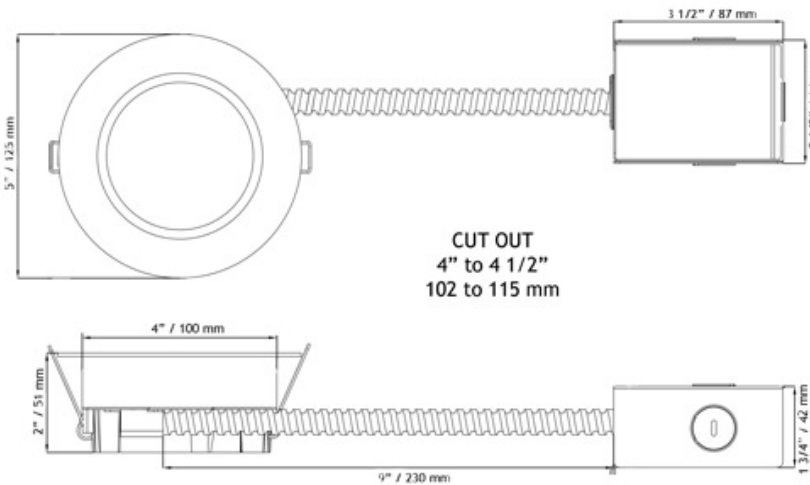
Project: _____

Location: _____

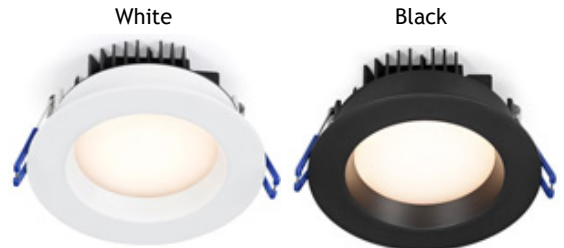
Trim Finish: _____ Qty: _____

Notes: _____

SPECIFICATION	
Applications	Recessed Ceiling Mount
Energy Used	14.5 W
Colour Temperature	3000 K
Light Output	860 lm
Halogen Equivalent	75 W
Beam Angle	92°
CRI	> 90
Input Voltage	120V AC 50/60 Hz
Power Factor	0.99
Dimming	TRIAC Dimmers 5% - 100%
Approved Location	Insulated Ceilings, Open Plenum, Wet
Air Tight	Yes
Ambient Temperature	-40° F (-40° C) to +104° F (+40° C)
Projected Life	70% Light Output at 50,000 Hours
Certification	cULus, Energy Star, T24
Warranty	10 Year on Residential 5 Year on Commercial Applications



Available Trims:



COMPLIANCE



CHARACTERISTICS

Body: Durable, Die Cast Aluminum Alloy for Optimal Heat Dissipation.

Paint: Oil Based Spray Painted - Scratch Resistant And Smooth Finish.

LEDs: 48 Pieces Of Custom Packaged LM80 Epistar 2835. Guaranteed 98% Lumen Maintenance After 6,000 Hours.

Strict Binning To Ensure Consistent Light Colour. CRI 92 for True and Vibrant Colour Rendering.

Driver: 5th Generation Lotus Designed.

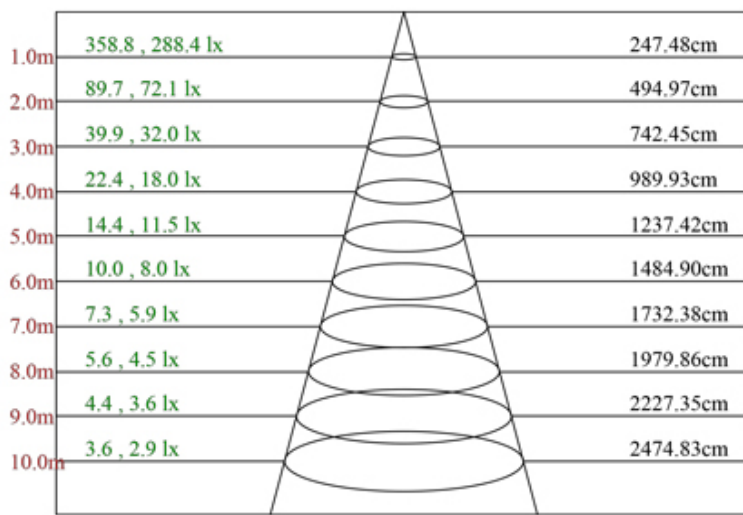
Junction Box: Included, Connected To The Fixture By 9" Armored Plenum Rated Cable. Quick Connectors Included For Additional Time Saving.

Testing: Every LED Is Visually Checked Before And After The PCB Is Mounted On The Fixture.

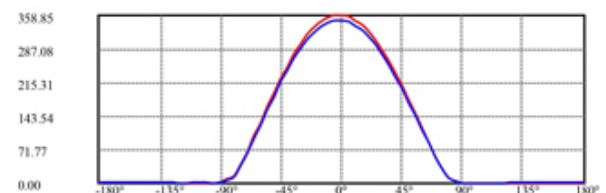
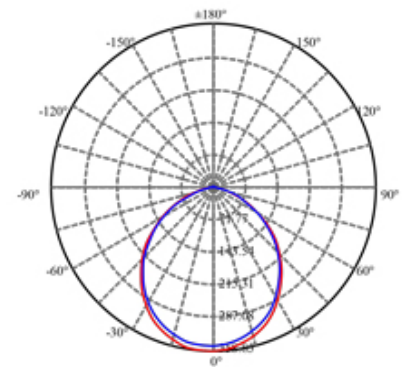
Every Fixture Is Powered For Minimum 24 Hours Before Packaging. No Random Tests - We Examine All Fixtures.

PHOTOMETRIC DATA

MODEL:	LL4RRG-30K	LAMP FLUX:	866 LM
VOLTAGE:	120 V	LUMENS / POWER:	61 LM/W
POWER:	14.2 W	CENTRAL INTENSITY:	359 CD
PF:	0.99	BEAM ANGLE:	102 DEGREES



Max , Ave Beam angle of C0plane 102.05



ORDERING GUIDE

Example: LL4RRG - 30K - WH

LL4RRG - 30K -
 WH : White
 BK : Black

ACCESSORIES



Flat Rough-In Plates - cat # RIP4



Flanged Rough-In Plates - cat # LRP4



Goof Ring OD 5 3/4" - White cat # GR4, Black cat # GR4-BK

LOTUS LED Lights

LED lighting facts
A Program of the U.S. DOE

Light Output (Lumens)	860
Watts	14.5
Lumens per Watt (Efficacy)	59.31
Color Accuracy	
Color Rendering Index (CRI)	90
Light Color	
Correlated Color Temperature (CCT)	3000 (Bright White)
<div style="display: flex; justify-content: space-between; font-size: x-small;"> 2700K 3000K 4500K 6500K </div>	

All results are according to IESNA LM-79-2008: Approved Method for the Electrical and Photometric Testing of Solid-State Lighting. The U.S. Department of Energy (DOE) verifies product test data and results.

Visit www.lightingfacts.com for the Label Reference Guide.

Registration Number: K53C-BN7QHX (10/24/2017)
Model Number: LL4RRG-30K
Type: Luminaire - Downlight



Warehouses

Vancouver Toronto Las Vegas Naples Philadelphia Dallas Seattle Chicago Denver

tel: 1-844-24-LOTUS (56887)

fax: 1-877-561-6306

www.lotusLEDlights.com