

Type IC, Wet & Air-Tight



Project: _____

Location: _____

Qty: _____

Notes: _____

DESCRIPTION

Recessed 6" Round LED With Integral Driver In Connection Box.
Fits Where No Other Recessed Fixture Can.

FEATURES & BENEFITS

- 1/2" Thin - Install Directly Under Joists, Maximum Layout Flexibility
- Driver Inside Connection Box - No Junction Box Needed
- Fast & Easy To Install - Save On Labour
- Type IC Rated - No Housing Required
- Dim to Warm 2800K to 2000K
- CRI 90+ for True Colour Rendering
- Wide Trim - No More Goof Rings
- Wet Location Approved

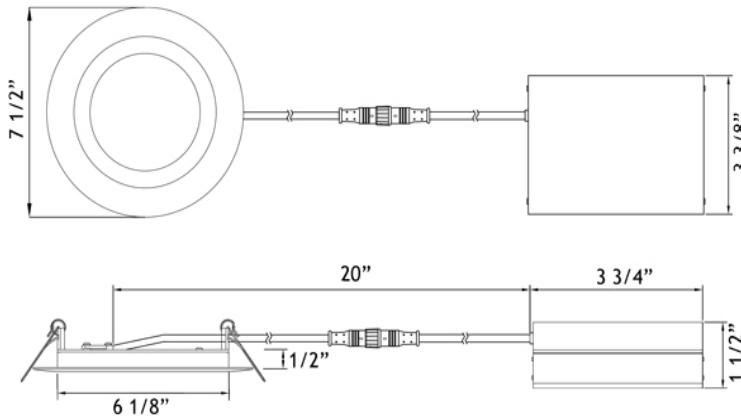
MOUNTING

Cut Hole In Ceiling And Snap Fixture In Opening With Attached Spring Clips.
1 1/2" Above Ceiling Clearance Required For Driver.

SPECIFICATION	
Applications	Recessed Ceiling, Showers & Soffits
Energy Used	17 W
Colour Temperature	2800 K to 2000 K
Light Output	770 lm
Halogen Equivalent	75 W
Beam Angle	110°
CRI	90 +
Driver Input	120V AC or 277V-347V
Power Factor	0.98
Dimming	TRIAC Dimmers 5% - 100%
Approved Location	Insulated Ceiling, Wet Locations
Air Tight	Yes
IP Rating	IP 54
Ambient Temperature	-40° F (-40° C) to +104° F (+40° C)
Projected Life	70% Light Output at 50,000 Hours
Certification	cULus
Warranty	10 Year on Residential 5 Year on Commercial Applications

DIMENSIONS

ID 6 1/8" OD 7 1/2" Cut Out 6 1/4" to 6 1/2"



Driver Included

Cable Rating FT4 / CM



Trim Options



White

Black, Brushed Nickel & Brushed Copper
trims available with 90 days lead time

COMPLIANCE



CHARACTERISTICS

Body: Durable, Die Cast Aluminum Alloy for Optimal Heat Dissipation.

Paint: Oil Based Spray Painted - Scratch Resistant And Smooth Finish.

LEDs: 66 Pieces Of Custom Packaged LM80 Epistar 2835. CRI > 90.

Guaranteed 98% Lumen Maintenance After 6,000 Hours.

Strict Binning To Ensure Consistent Light Colour.

Driver: 4th Generation Lotus Designed. Field Proven Since 2011.

Connection Box: Patented Invention By Lotus LED Lights.

Saves Contractors Labour On Installation.

Testing: Every Single Driver Is Powered For Minimum 24 Hours

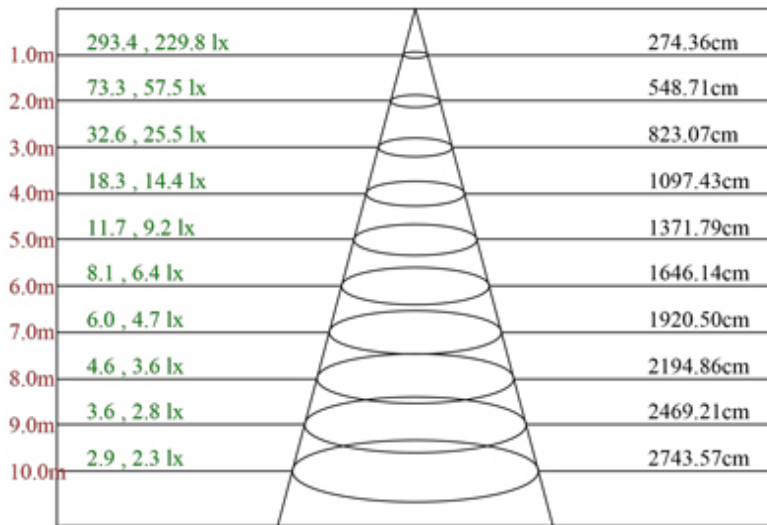
Together With The Fixture That It Is Shipped With.

Every LED Is Visually Checked Before And After The PCB Is Mounted On The Fixture.

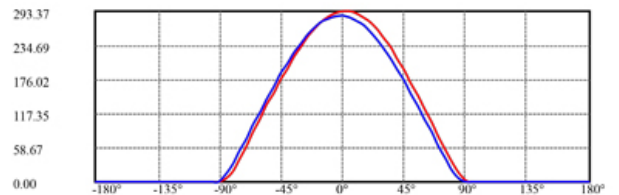
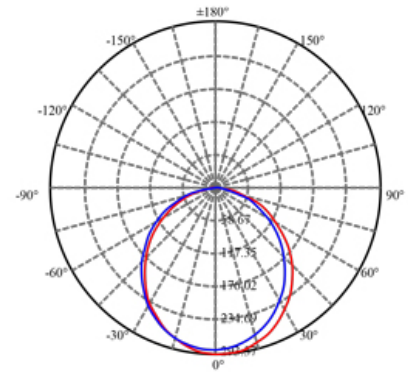
No Random Tests - We Hand Test Every Fixture & Driver.

PHOTOMETRIC DATA OF A LAB TESTED SAMPLE

MODEL:	LL6R-28K	LAMP FLUX:	772 LM
VOLTAGE:	120 V	LUMENS / POWER:	45 LM/W
POWER:	17.2 W	CENTRAL INTENSITY:	293 CD
PF:	0.99	BEAM ANGLE:	107 DEGREES



Max , Ave Beam angle of C0plane 107.65



ORDERING GUIDE

Example: LL6R - 28K - WH

LL6R - 28K - Trim Finish
 * Custom Order
 WH : White
 BK : Black *
 BN : Brushed Nickel *
 BC : Brushed Copper *

Order 277V - 347V Optional Driver Separately As cat # LLL-LD2050H



ACCESSORIES



Low Voltage Extension Cables
 6ft - cat # EXC6, 20ft - cat # EXC20
 Max 40 ft Extension Allowed



Flanged Rough-In Plates - cat # LRP6



Flat Rough-In Plates - cat # RIP612



Vancouver Toronto Las Vegas Naples Philadelphia Dallas Seattle Chicago Denver

tel: 1-844-24-LOTUS (56887)

fax: 1-877-561-6306

www.lotusLEDlights.com

Warehouses