

### Type IC, Wet & Air-Tight



Project: \_\_\_\_\_

Location: \_\_\_\_\_

Trim Finish: \_\_\_\_\_ Qty: \_\_\_\_\_

Notes: \_\_\_\_\_

#### DESCRIPTION

Recessed 6" Round LED With Integral Driver In Connection Box.  
Fits Where No Other Recessed Fixture Can.

#### FEATURES & BENEFITS

- 1/2" Thin - Install Directly Under Joists, Maximum Layout Flexibility
- Driver Inside Connection Box - No Junction Box Needed
- Fast & Easy To Install - Save On Labour
- Type IC Rated - No Housing Required
- CRI 90+ for True Colour Rendering
- Wide Trim - No More Goof Rings
- Wet Location Approved

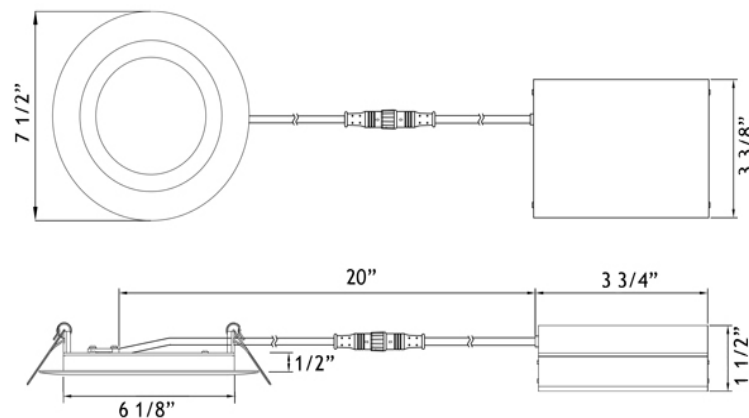
#### MOUNTING

Cut Hole In Ceiling And Snap Fixture In Opening With Attached Spring Clips.  
1 1/2" Above Ceiling Clearance Required For Driver.

SPECIFICATION	
Applications	Recessed Ceiling, Showers & Soffits
Energy Used	17 W
Colour Temperature	4000 K
Light Output	1000 lm
Halogen Equivalent	90 W
Beam Angle	110°
CRI	90 +
Driver Input	120V AC or 277V-347V
Power Factor	0.98
Dimming	TRIAC Dimmers 5% - 100%
Approved Location	Insulated Ceiling, Wet Locations
Air Tight	Yes
IP Rating	IP 54
Ambient Temperature	-40° F (-40° C) to +104° F (+40° C)
Projected Life	70% Light Output at 50,000 Hours
Certification	cULus, Energy Star, T24
Warranty	10 Year on Residential 5 Year on Commercial Applications

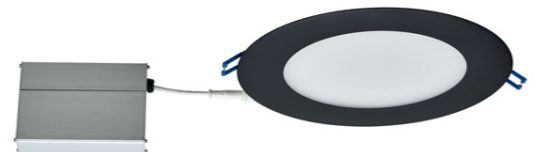
#### DIMENSIONS

ID 6 1/8"    OD 7 1/2"    Cut Out 6 1/4" to 6 1/2"



#### Driver Included

Cable Rating FT4 / CM



#### Trim Options



White

Black

Brushed Nickel

Brushed Copper

#### COMPLIANCE



**CHARACTERISTICS**

- Body:** Durable, Die Cast Aluminum Alloy for Optimal Heat Dissipation.
- Paint:** Oil Based Spray Painted - Scratch Resistant And Smooth Finish.
- LEDs:** 66 Pieces Of Custom Packaged LM80 Epistar 2835. CRI > 90.
- Guaranteed 98% Lumen Maintenance After 6,000 Hours.
- Strict Binning To Ensure Consistent Light Colour.
- Driver:** 4th Generation Lotus Designed. Field Proven Since 2011.
- Connection Box:** Patented Invention By Lotus LED Lights.
- Saves Contractors Labour On Installation.
- Testing:** Every Single Driver Is Powered For Minimum 24 Hours Together With The Fixture That It Is Shipped With.
- Every LED Is Visually Checked Before And After The PCB Is Mounted On The Fixture.
- No Random Tests - We Hand Test Every Fixture & Driver.

LOTUS LED Lights

**lighting facts**  
A Program of the U.S. DOE

Light Output (Lumens)	1000
Watts	17
Lumens per Watt (Efficacy)	58.82
<b>Color Accuracy</b> <small>Color Rendering Index (CRI)</small>	
<b>90</b>	
<b>Light Color</b> <small>Correlated Color Temperature (CCT)</small>	
<b>4000 (Bright White)</b>	
2700K	3000K
4500K	6500K

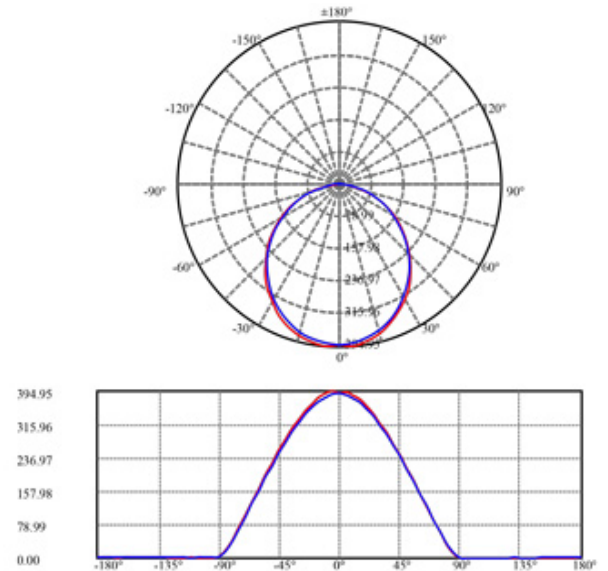
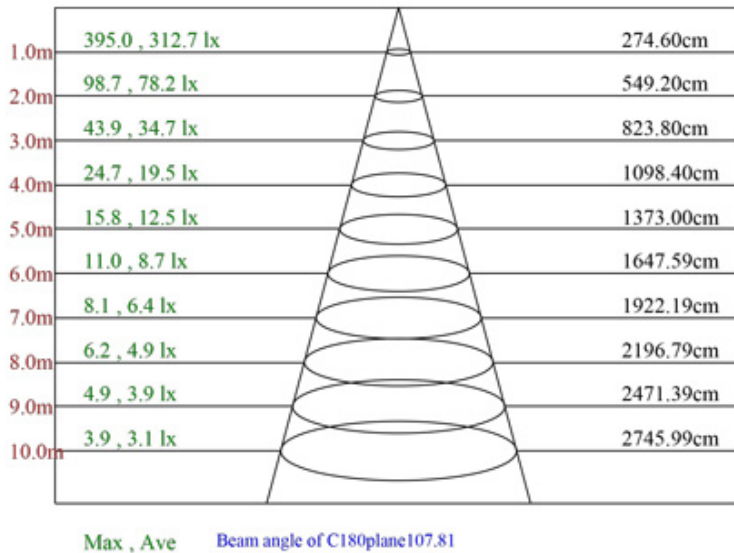
All results are according to IESNA LM-79-2008: Approved Method for the Electrical and Photometric Testing of Solid-State Lighting. The U.S. Department of Energy (DOE) verifies product test data and results.

Visit [www.lightingfacts.com](http://www.lightingfacts.com) for the Label Reference Guide.

Registration Number: K53C-TOPHDL (10/26/2017)  
Model Number: LL6R-40K  
Type: Luminaire - Downlight

**PHOTOMETRIC DATA OF A LAB TESTED SAMPLE**

MODEL:	LL6R-40K	LAMP FLUX:	1056 LM
VOLTAGE:	120 V	LUMENS / POWER:	63 LM/W
POWER:	16.8 W	CENTRAL INTENSITY:	389 CD
PF:	0.99	BEAM ANGLE:	108 DEGREES



**ORDERING GUIDE**

Example: LL6R -40K - WH

- LL6R - 40K -
- WH : White
  - BK : Black
  - BN : Brushed Nickel
  - BC : Brushed Copper

Order 277V - 347V Optional Driver Separately As cat # LLL-LD2050H



**ACCESSORIES**

- Low Volage Extension Cables  
6ft - cat # EXC6, 20ft - cat # EXC20  
Max 40 ft Extension Allowed
- Flanged Rough-In Plates - cat # LRP6
- Flat Rough-In Plates - cat # RIP612



**Warehouses**

Vancouver    Toronto    Las Vegas    Naples    Philadelphia    Dallas    Seattle    Chicago    Denver

tel: 1-844-24-LOTUS (56887)      fax: 1-877-561-6306      [www.lotusLEDlights.com](http://www.lotusLEDlights.com)