

Type IC, Air-Tight, Wet & Plenum



DESCRIPTION

Regressed LED fixtures with integral LEDs and built-in driver.
Commercial Grade Quality With Architectural Design.

FEATURES & BENEFITS

- 2 1/4" Thin - Fits In Tight Ceiling Spaces
- CRI 93 - True Colour Rendering
- Type IC Rated - No Housing Required
- Open Plenum Rated - Suitable For Commercial Installations
- Fast & Easy To Install - Save On Labour
- Junction Box Included - No Additional Hardware Needed

MOUNTING

Cut Hole In Ceiling And Snap Fixture In Opening With Attached Spring Clips.
2 1/4" Above Ceiling Clearance Required. Quick connectors Included.

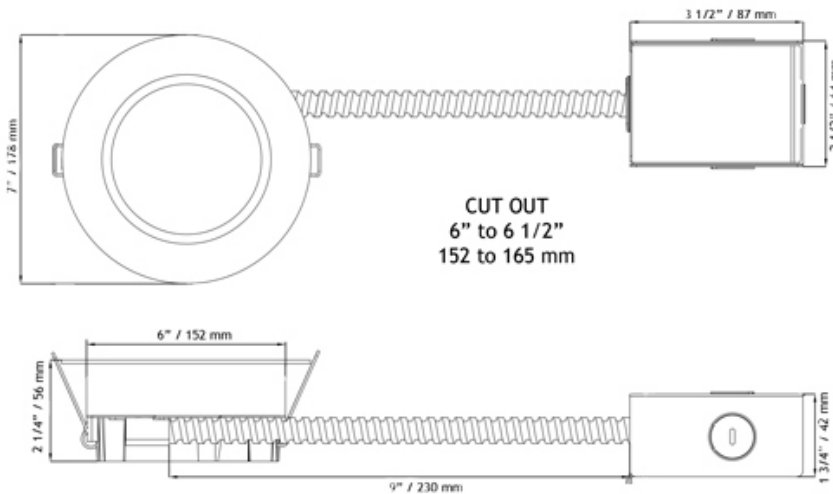
Project: _____

Location: _____

Trim Finish: _____ Qty: _____

Notes: _____

SPECIFICATION	
Applications	Recessed Ceiling Mount
Energy Used	17 W
Colour Temperature	2700 K
Light Output	1000 lm
Halogen Equivalent	90 W
Beam Angle	95°
CRI	93
Input Voltage	120V AC 50/60 Hz
Power Factor	0.99
Dimming	TRIAC Dimmers 5% - 100%
Approved Location	Insulated Ceilings, Open Plenum, Wet
Air Tight	Yes
Ambient Temperature	-40° F (-40° C) to +104° F (+40° C)
Projected Life	70% Light Output at 50,000 Hours
Certification	cULus, Energy Star, T24
Warranty	10 Year on Residential 5 Year on Commercial Applications



Available Trims:

White

Black



COMPLIANCE



CHARACTERISTICS

Body: Durable, Die Cast Aluminum Alloy for Optimal Heat Dissipation.

Paint: Oil Based Spray Painted - Scratch Resistant And Smooth Finish.

LEDs: 66 Pieces Of Custom Packaged LM80 Epistar 2835. Guaranteed 98% Lumen Maintenance After 6,000 Hours. Strict Binning To Ensure Consistent Light Colour. CRI 93 for True and Vibrant Colour Rendering.

Driver: 5th Generation Lotus Designed.

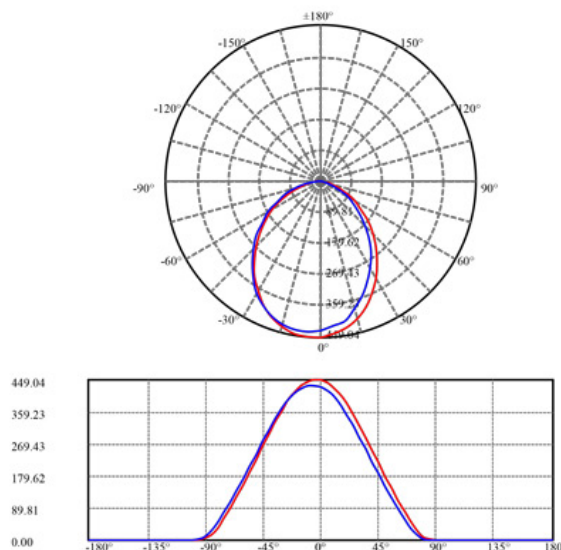
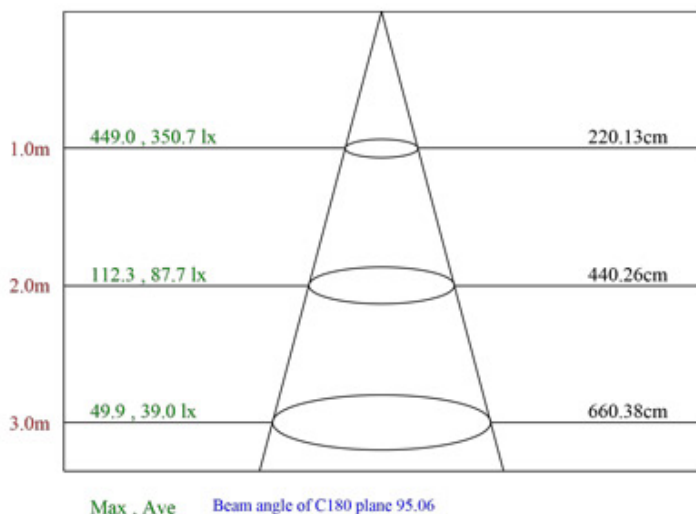
Junction Box: Included, Connected To The Fixture By 9" Armored Plenum Rated Cable. Quick Connectors Included For Additional Time Saving.

Testing: Every LED Is Visually Checked Before And After The PCB Is Mounted On The Fixture.

Every Fixture Is Powered For Minimum 24 Hours Before Packaging. No Random Tests - We Examine All Fixtures.

PHOTOMETRIC DATA

MODEL:	LL6RRG-27K	LAMP FLUX:	1007 LM
VOLTAGE:	120 V	LUMENS / POWER:	60.6 LM/W
POWER:	16.62 W	CENTRAL INTENSITY:	448 CD
PF:	0.985	BEAM ANGLE:	95 DEGREES



ORDERING GUIDE

Example: LL6RRG - 27K - WH

LL6RRG - 27K - Trim Finish
 WH : White
 BK : Black

ACCESSORIES

-  Flat Rough-In Plates - cat # RIP6
-  Flanged Rough-In Plates - cat # LRP6
-  Goof Ring White OD 5 3/4" - cat # GR6

LOTUS LED Lights

LED lighting facts[®]

A Program of the U.S. DOE

Light Output (Lumens) 1000

Watts 17

Lumens per Watt (Efficacy) 58.82

Color Accuracy 93

Color Rendering Index (CRI)

Light Color 2700 (Warm White)

Correlated Color Temperature (CCT)

Warm White 2700K
Bright White 3000K
Daylight 4500K
6500K

All results are according to IESNA LM-79-2008: Approved Method for the Electrical and Photometric Testing of Solid-State Lighting. The U.S. Department of Energy (DOE) verifies product test data and results.

Visit www.lightingfacts.com for the Label Reference Guide.

Registration Number: K53C-S3W327 (12/27/2016)
 Model Number: LL6RRG-27K
 Type: Luminaire - Downlight



Warehouses

Vancouver Toronto Las Vegas Naples Philadelphia Dallas Seattle Chicago Denver

tel: 1-844-24-LOTUS (56887) fax: 1-877-561-6306 www.lotusLEDlights.com