

Type IC, Wet & Air-Tight



DESCRIPTION

Recessed 6" Square LED With Integral Driver In Connection Box.
Fits Where No Other Recessed Fixture Can.

FEATURES & BENEFITS

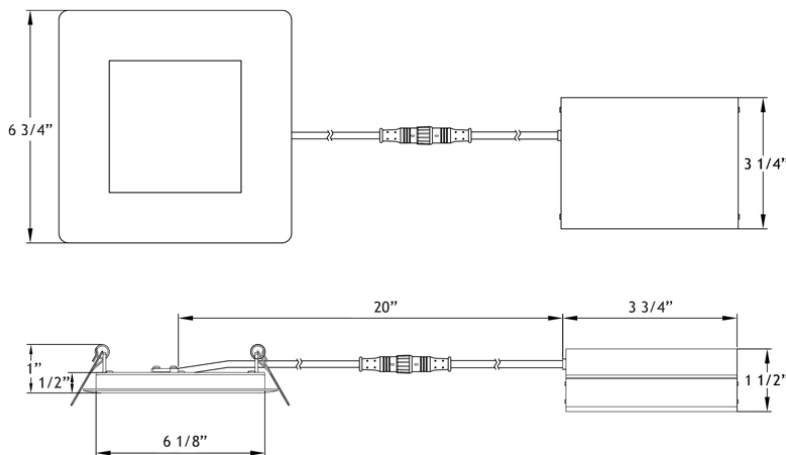
- 1/2" Thin - Install Directly Under Joists, Maximum Layout Flexibility
- Driver Inside Connection Box - No Junction Box Needed
- Round Back - Easy Hole Drilling and Alignment
- Type IC Rated - No Housing Required
- Wet Location Approved

MOUNTING

Cut Hole In Ceiling And Snap Fixture In Opening With Attached Spring Clips.
1 1/2" Above Ceiling Clearance Required For Driver.

DIMENSIONS

ID 6 1/8" OD 6 3/4" Square Cut Out 6 1/4" to 6 1/2"



Project: _____

Location: _____

Trim Finish: _____ Qty: _____

Notes: _____

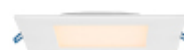
SPECIFICATION	
Applications	Recessed Ceiling, Showers & Soffits
Energy Used	17 W
Colour Temperature	2700 K
Light Output	1000 lm
Halogen Equivalent	100 W
Beam Angle	110°
CRI	80 +
Driver Input	120V AC or 277V-347V
Power Factor	0.98
Dimming	TRIAC Dimmers 5% - 100%
Approved Location	Insulated Ceiling, Wet & Damp Locations
Air Tight	Yes
IP Rating	IP 54
Ambient Temperature	-40° F (-40° C) to +104° F (+40° C)
Projected Life	70% Light Output at 50,000 Hours
Certification	cULus, Energy Star
Warranty	10 Year on Residential 5 Year on Commercial Applications

Driver Included

Cable Rating FT4 / CM



Trim Options



White



Black

COMPLIANCE



CHARACTERISTICS

Body: Durable, Die Cast Aluminum Alloy for Optimal Heat Dissipation.

Paint: Oil Based Spray Painted - Scratch Resistant And Smooth Finish.

LEDs: 66 Pieces Of Custom Packaged LM80 Epistar 2835. CRI 80.

Guaranteed 98% Lumen Maintenance After 6,000 Hours.

Strict Binning To Ensure Consistent Light Colour.

Driver: 4th Generation Lotus Designed. Field Proven Since 2011.

Connection Box: Patented Invention By Lotus LED Lights.

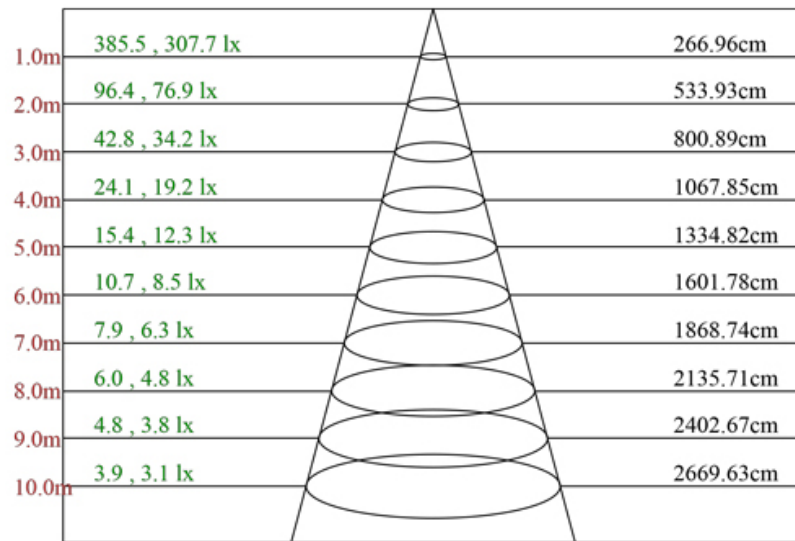
Saves Contractors Labour On Installation.

Testing: Every Single Driver Is Powered For Minimum 24 Hours

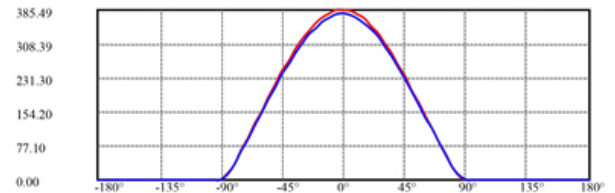
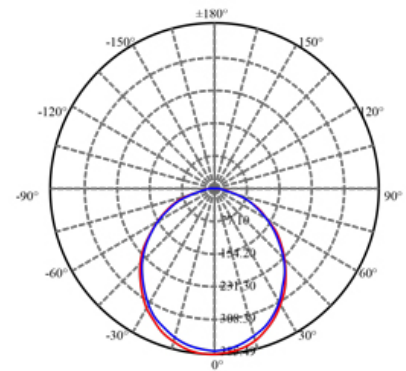
Together With The Fixture That It Is Shipped With. No Random Tests.

PHOTOMETRIC DATA OF A LAB TESTED SAMPLE

MODEL:	LL6S-27K	LAMP FLUX:	1004 LM
VOLTAGE:	120 V	LUMENS / POWER:	59 LM/W
POWER:	16.99 W	CENTRAL INTENSITY:	385 CD
PF:	0.98	BEAM ANGLE:	106 DEGREES



Max , Ave Beam angle of C0plane106.27



ORDERING GUIDE

Example: LL6S -27K - WH

LL6S - 27K - Trim Finish
 WH : White
 BK : Black



Order 277V - 347V Optional Driver Separately As cat # LLL-LD2050H

ACCESSORIES

Sold Separately

Low Voltage Extension Cables
 6ft - cat # EXC6, 20ft - cat # EXC20
 Max 40 ft Extension Allowed
 FT4 / CM rated



Flanged Rough-In Plates - cat # LRP6



Flat Rough-In Plates - cat # RIP6



Vancouver Toronto Las Vegas Naples Philadelphia Dallas Seattle Chicago Denver

tel: 1-844-24-LOTUS (56887)

fax: 1-877-561-6306

www.lotusLEDlights.com