



LL6S

6" Square Super Thin Recessed LED 17W



Type IC, Wet & Air-Tight

DESCRIPTION

6" Square Recessed LED With Integral Driver In Connection Box
Fits Where No Other Recessed Fixture Can

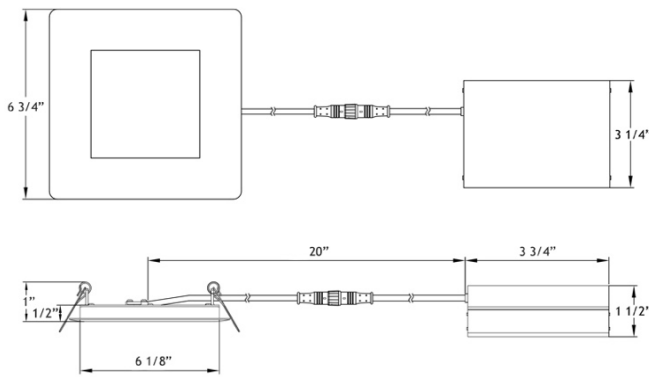
FEATURES & BENEFITS

1/2" Deep - Install Directly Under Joists, Maximum Layout Flexibility
Driver Inside Connection Box - No Junction Box Needed
Fast & Easy To Install - Save On Labor
Type IC Rated - No Housing Required

MOUNTING

Cut Hole In Ceiling And Snap Fixture In Opening With Attached
Spring Clips. Ceiling Clearance Required For Driver: 1 1/2"

DIMENSIONS: ID 6 1/8" OD 6 3/4" SQ Cut Out 6 1/8" to 6 1/4"



120V TRIAC Dimmable

Driver Included



Optional 120V - 347V Driver

0-10V Dimmable

Order Separately as
[model # LLL-LD2050T](#)



ORDERING GUIDE

	CCT	Trim Finish
LL6S-27K-WH	2700K	White
LL6S-30K-WH	3000K	White
LL6S-40K-WH	4000K	White
LL6S-27K-BK	2700K	Black
LL6S-30K-BK	3000K	Black
LL6S-40K-BK	4000K	Black

Project:

Location:

Model #:

Qty:

Notes:

SPECIFICATION

Applications	Recessed Ceiling Mount		
Energy Used	17 W		
Colour Temperature	2700	3000	4000
Light Output	1000	1050	1100
Halogen Equivalent	100 W		
Beam Angle	110°		
CRI	80		
Default Driver Input	120V AC	Triac Dimmable	
Optional Driver Input	120V-347V AC	0-10V Dimmable	
Junction Box Wire Capacity	Max 5 No 12 AWG or 8 No 14 AWG		
Power Factor	0.95		
Approved Location	Insulated Ceiling, Wet & Damp Locations		
IP Rating	IP 54		
Air Tight	Yes		
Ambient Temperature	-40°F (-40°C) to +104°F (+40°C)		
Projected Life	70% Light Output at 50,000 Hours		
Certification	cULus, Energy Star		
Warranty	10 Year Residential / 5 Year Commercial		

AVAILABLE TRIMS



White



Black

ACCESSORIES

Sold Separately



Low Voltage Extension Cables. Max 40 ft Allowed

[6ft - model # EXC6](#)

[20ft - model # EXC20](#)



[13" Mounting Plate Flat model # MP6-2](#)



[26" Flat Rough-In Plates model # RIP6](#)



[Flanged Plate with Hanger Bars - model # FRP6](#)

COMPLIANCE



**Type IC
Air-Tight
Wet Location**

Lotus LED Lights USA

250 H Street # 301, Blaine WA 98230 tel 360-200-5500
Hainesport NJ, Naples FL, Dallas TX, Vancouver WA

www.LotusLEDLights.com

mailing addresses
warehouses

Lotus LED Lights CANADA

702 Chester Rd, Delta BC V3M 6J1 tel 604-538-3090
Delta BC & Mississauga ON