

### Type IC, Air-Tight & Wet



#### DESCRIPTION

Recessed 8" Round LED With Integral Driver In Connection Box  
Commercial Grade Quality

#### FEATURES & BENEFITS

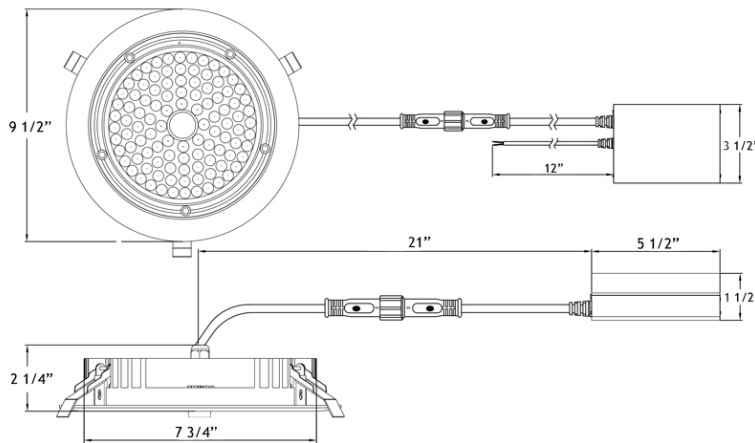
- 2 1/4" Thin - Fits In Tight Ceiling Spaces
- Type IC Rated - No Housing Required
- Fast & Easy To Install - Save On Labour
- Driver Inside Connection Box - No Junction Box Needed
- Wet Location IP65 Approved

#### MOUNTING

Cut Hole In Ceiling And Snap Fixture In Opening With Attached Spring Clips.  
2 1/4" Above Ceiling Clearance Required. Quick connectors Included.

#### DIMENSIONS

ID 7 3/4"    OD 9 1/2"    Cut Out 8" to 8 1/2"



Project: \_\_\_\_\_

Location: \_\_\_\_\_

Trim Finish: \_\_\_\_\_ Qty: \_\_\_\_\_

Notes: \_\_\_\_\_

SPECIFICATION	
Applications	Recessed Ceiling Mount
Energy Used	40 W
Colour Temperature	3000 K
Light Output	4500 lm
Equivalent	75 W MH HPS
Beam Angle	45°
CRI	80 +
Input Voltage	120-277 V AC or 347 V AC
Power Factor	0.96
Dimming	0-10 V
Approved Location	Insulated Ceilings, Wet Locations
IP Rating	IP 65
Air Tight	Yes
Ambient Temperature	-40° F (-40° C) to +104° F (+40° C)
Projected Life	70% Light Output at 50,000 Hours
Certification	cULus, Energy Star
Warranty	5 Year

#### Driver Included

Cable Rating FT4 / CM



#### Available Trims

White

Black



#### COMPLIANCE



#### Warehouses

Vancouver    Toronto    Las Vegas    Naples    Philadelphia    Dallas    Seattle    Chicago    Denver

tel: 1-844-24-LOTUS (56887)

fax: 1-877-561-6306

www.lotusLEDlights.com

## CHARACTERISTICS

**Body:** Durable, Die Cast Aluminum Alloy for Optimal Heat Dissipation.

**Paint:** Oil Based Spray Painted - Scratch Resistant And Smooth Finish.

**LEDs:** 104 Pieces Of Custom Packaged LM80 Epistar 2835 with CRI80.

Guaranteed 98% Lumen Maintenance After 6,000 Hours.

Strict Binning To Ensure Consistent Light Colour.

**Driver:** In House Designed & Produced. Dimmable 0-10V. Input 120-277V V, or 347V

**Connection Box:** Patented Invention By Lotus LED Lights.

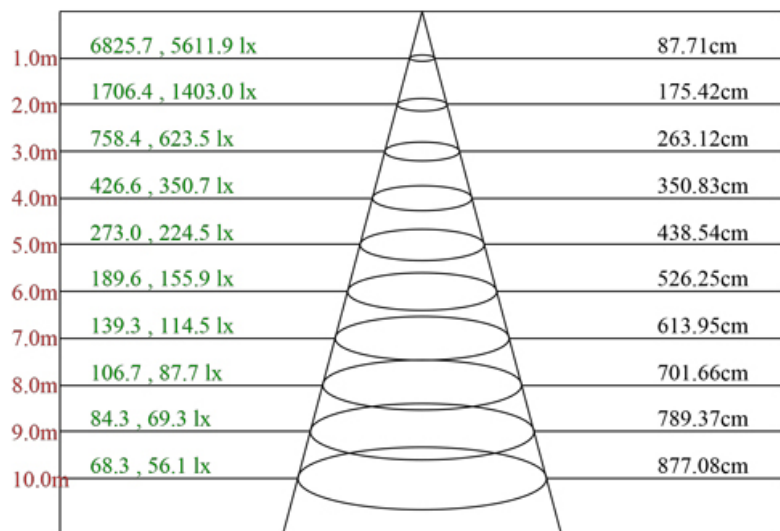
Saves Contractors Labour On Installation.

**Testing:** Every Single Driver Is Powered For Minimum 24 Hours

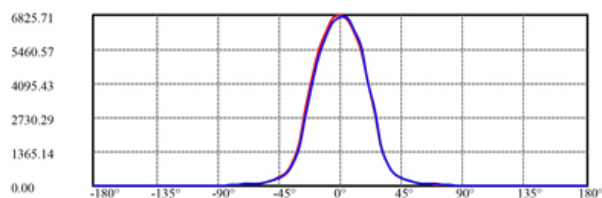
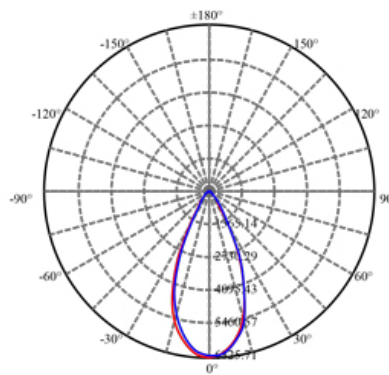
Together With The Fixture That It Is Shipped With. No Random Tests.

## PHOTOMETRIC DATA

MODEL:	LL8R-30K	LAMP FLUX:	4504 LM
VOLTAGE:	120 V	LUMENS / POWER:	113 LM/W
POWER:	39.89 W	CENTRAL INTENSITY:	6826 CD
PF:	0.96	BEAM ANGLE:	47 DEGREES



Max , Ave Beam angle of C0plane 47.36



## ORDERING GUIDE

Example: LL8R - 30K - WH

LL8R - 30K -

WH : White

BK : Black

## ACCESSORIES



347V Driver cat # LLL-LD40WH

Dimmable 0-10V

Goof Plates for covering 12" and 14" square holes available as custom order



Warehouses

Vancouver    Toronto    Las Vegas    Naples    Philadelphia    Dallas    Seattle    Chicago    Denver

tel: 1-844-24-LOTUS (56887)

fax: 1-877-561-6306

www.lotusLEDlights.com