



# LL8R

## 8" Round Commercial Recessed LED 40W



**Type IC, Air-Tight & Wet**

### DESCRIPTION

8" Round Recessed LED With Integral Driver In Connection Box  
Commercial Grade Quality Built to Last

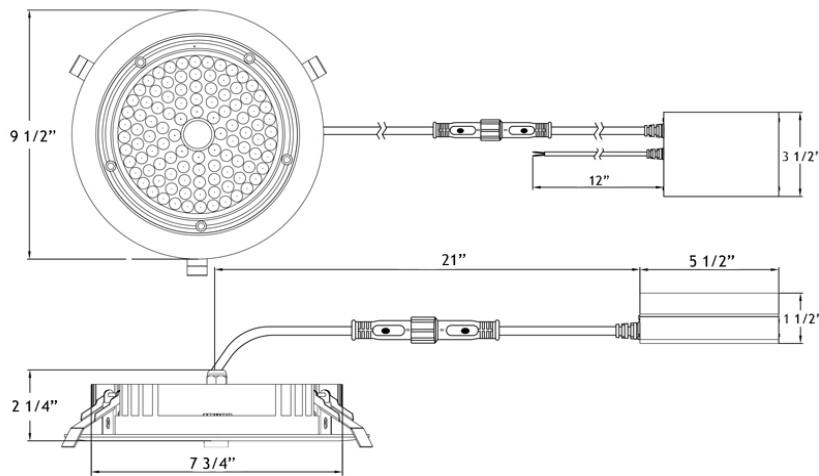
### FEATURES & BENEFITS

2 1/4" Deep - Install Where Ceiling Space Is Limited  
Type IC Rated - No Housing Required  
Fast & Easy To Install - Save On Labor  
Driver Inside Connection Box - No Junction Box Needed  
Wet Location IP65 Approved

### MOUNTING

Cut Hole In Ceiling And Snap Fixture In Opening With Attached Spring Clips. Ceiling Clearance Required: 2 1/4"

**DIMENSIONS:** ID 7 3/4" OD 9 1/2" Cut Out 8" to 8 1/2"



120V - 277V Driver Included 0-10V Dimmable



### ORDERING GUIDE

	CCT	Trim
<b>LL8R-30K-WH</b>	3000K	<a href="#">White</a>
<b>LL8R-40K-WH</b>	4000K	<a href="#">White</a>
<b>LL8R-50K-WH</b>	5000K	<a href="#">White</a>
<b>LL8R-30K-BK</b>	3000K	<a href="#">Black</a>
<b>LL8R-40K-BK</b>	4000K	<a href="#">Black</a>
<b>LL8R-50K-BK</b>	5000K	<a href="#">Black</a>

Project: \_\_\_\_\_

Location: \_\_\_\_\_

Model #: \_\_\_\_\_ Qty: \_\_\_\_\_

Notes: \_\_\_\_\_

### SPECIFICATION

SPECIFICATION	
Applications	High Ceilings Recessed Mount
Energy Used	40 W
Color Temperature K	3000   4000   5000
Light Output lm	4500   4700   4940
Equivalent	75 W MH HPS
Beam Angle	45°
CRI	80
Default Driver Input	120V-277V AC 0-10V Dimmable
Optional Driver Input	347V AC 0-10V Dimmable
Power Factor	0.95
Junction Box Wire Capacity	Max 5 No 12 AWG or 8 No 14 AWG
Approved Location	Insulated Ceilings, Wet Locations
IP Rating	IP 65
Air Tight	Yes
Ambient Temperature	-40°F (-40°C) to +104°F (+40°C)
Projected Life	70% Light Output at 50,000 Hours
Certification	cULus
Warranty	5 Year

### AVAILABLE TRIMS



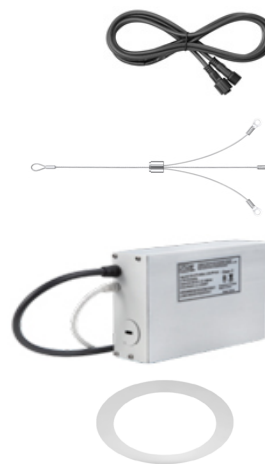
White



Black

### ACCESSORIES

Sold Separately



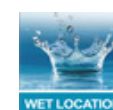
Low Voltage Extensions 6ft FT4 / CMR rated  
[model # BCX6](#)

Pendant Mount Kit model # **PMK810**  
Includes Aircraft Cable & 6ft Extension

347V Input Driver 0-10V Dimmable  
[model # LLL-LD40WH](#)

Goof Ring White OD 10 1/2"  
[model # GR810](#)

### COMPLIANCE



**Type IC**  
**Air-Tight**  
**Wet Location**

### Lotus LED Lights USA

250 H Street # 301, Blaine WA 98230 tel 360-200-5500  
Hainesport NJ, Naples FL, Vancouver WA

[www.LotusLEDLights.com](http://www.LotusLEDLights.com)

mailing addresses  
warehouses

### Lotus LED Lights CANADA

1080 Cliveden Ave #6, Delta BC V3M 6J6 tel 604-538-3090  
Delta BC & Mississauga ON