



LLL-M2

Multi 2 Head Fixture for LSG3-HO-TT



Project: _____

Location: _____

Model #: _____ Qty: _____

Notes: _____

DESCRIPTION

Multi 2 Head Fixture for 3" Square Regressed Gimbal LED

FEATURES & BENEFITS

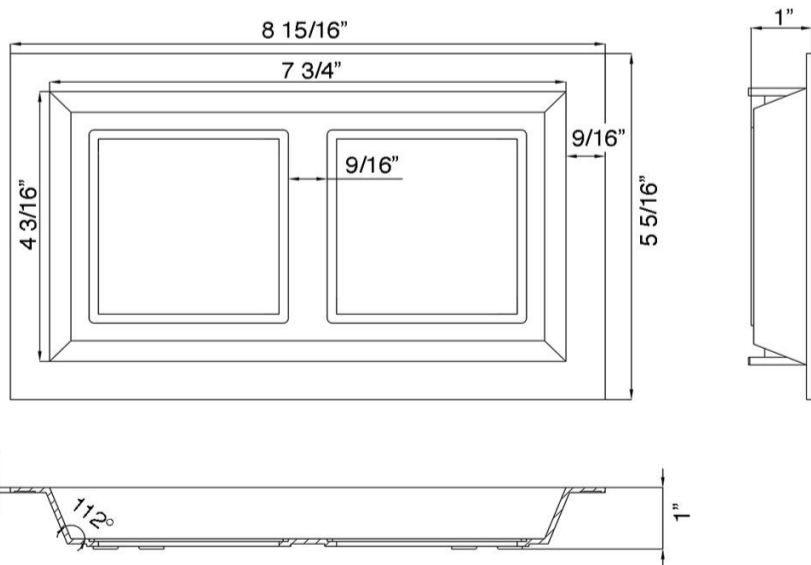
1" regressed for high end appearance and reduced glare
Possibility to mount white, black and custom colour light fixtures with 5CCT or Dim to Warm light options

Compatible fixture

[LSG3-HO-TT](#)

INSTALLATION INSTRUCTIONS

Mount 2 x LSG3-HO-TT fixtures on the multi head by holding up their spring clips and fitting in the holes of LLL-M2. Fixtures springs should be in the same direction as LLL-M2 springs and should be secured on the dedicated places on the multi head bracket. Connect the drivers to power. Cut 8" x 4 1/2" hole in ceiling and snap the LLL-M2 in opening with attached spring clips. To dismount - take down the multi head as a whole. Light fixtures could not be taken down from underneath if properly secured. Space Above Ceiling required 4 1/2"



SPECIFICATION	
Applications	Commercial, Hospitality, High-End Residential
Suitable Locations	Sloped Ceilings up to 20°, General Lighting
Material	Die-Cast Aluminum

AVAILABLE TRIMS - White & Black



ORDERING GUIDE

LLL-M2-WH [White](#)
LLL-M2-BK [Black](#)

ACCESSORIES



[Mounting plate 26" long model # RIP-M-23](#)

Sold Separately