

Type IC, Wet & Air-Tight



DESCRIPTION

1/2" Regressed 2" Gimbal Round LED With Integral Driver In Connection Box.
Fits Where No Other Recessed Fixture Can.
Unique Design: Gimbal Yet Air-Tight Without Housing Needed.

FEATURES & BENEFITS

1 3/4" Thin - Install Where Ceiling Space Is Limited.
Type IC Rated - No Housing Required
Fast & Easy To Install - Save On Labour
Driver Inside Connection Box - No Junction Box Needed
Directional Beam - Great for Sloped Ceilings and Highlighting Artwork
CRI 92 - True Colour Rendering

MOUNTING

Cut Hole In Ceiling And Snap Fixture In Opening With Attached Spring Clips.
Ceiling Clearance Required: 2" with driver remotely installed,
5" if driver is next to the fixture.

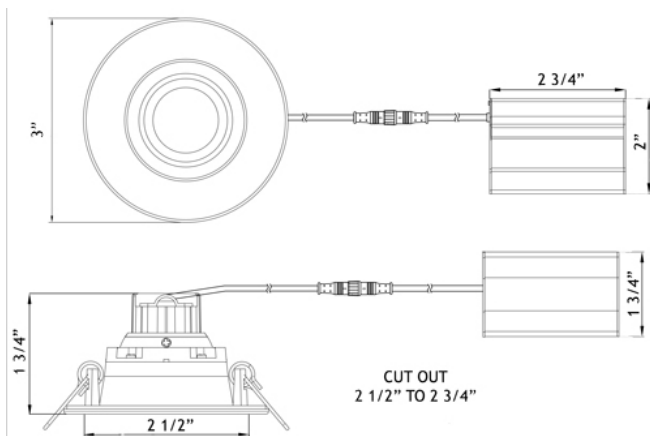
Project: _____

Location: _____

Trim Finish: _____ Qty: _____

Notes: _____

SPECIFICATION	
Applications	Cabinets, Recessed Alcoves
Energy Used	5 W
Colour Temperature	2700 K
Light Output	380 lm
Halogen Equivalent	35 W
Beam Angle	24° beam with 20° tilt and 360° rotation
CRI	> 90
Driver Input	120V AC 50/60 Hz
Power Factor	0.95
Dimming	TRIAC Dimmers 5% - 100%
Approved Location	Insulated Ceiling, Damp & Wet Locations
IP Rating	IP 54
Air Tight	Yes
Ambient Temperature	-40° F (-40° C) to +104° F (+40° C)
Projected Life	70% Light Output at 50,000 Hours
Certification	cULus, Energy Star, T24
Warranty	10 Year on Residential 5 Year on Commercial Applications



Driver Included



Available Trims



COMPLIANCE



CHARACTERISTICS

Unique Design: 1/2" Regressed 2" Gimbal with 20° tilt and 360° rotation, Yet Air-Tight Without Housing Needed. Patent Pending.

Body: Durable, Die Cast Aluminum Alloy for Optimal Heat Dissipation.

Paint: Oil Based Spray Painted - Scratch Resistant And Smooth Finish.

LED: Epistar COB Custom Packaged by Hongli Tronic with LM80.

Guaranteed 98% Lumen Maintenance After 6,000 Hours.

Strict Binning To Ensure Consistent Light Colour. CRI 92 for True Colour Rendering.

Driver: 4th Generation Lotus Designed. Field Proven Since 2011.

Connection Box: Patented Invention By Lotus LED Lights.

Saves Contractors Labour On Installation.

Testing: Every Single Driver Is Powered For Minimum 24 Hours Together With The Fixture That It Is Shipped With. No Random Tests - We Hand Test Every Fixture & Driver.

LED lighting facts
A Program of the U.S. DOE

Light Output (Lumens)	380
Watts	5
Lumens per Watt (Efficacy)	76
Color Accuracy Color Rendering Index (CRI)	90
Light Color Correlated Color Temperature (CCT)	2700 (Warm White)

Color scale: Warm White (2700K), Bright White (3000K), Daylight (4500K), 6500K

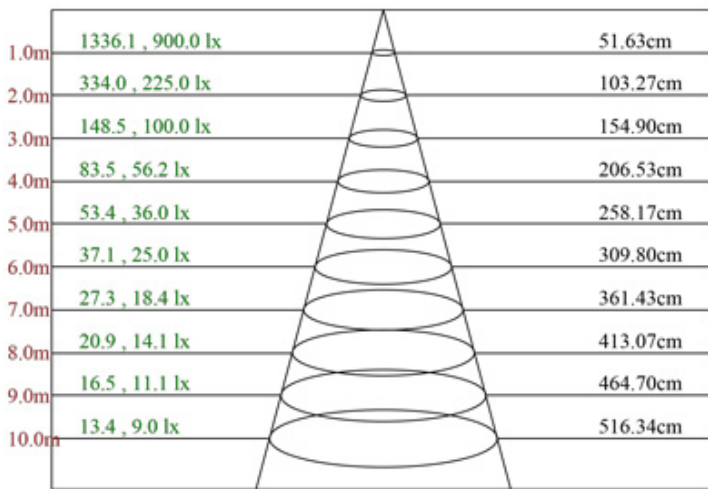
All results are according to IESNA LM-79-2008: Approved Method for the Electrical and Photometric Testing of Solid-State Lighting. The U.S. Department of Energy (DOE) verifies product test data and results.

Visit www.lightingfacts.com for the Label Reference Guide.

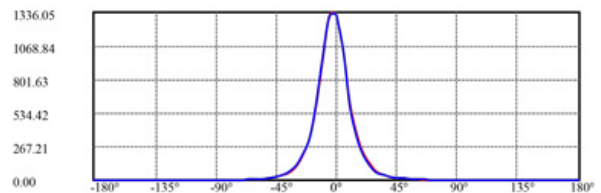
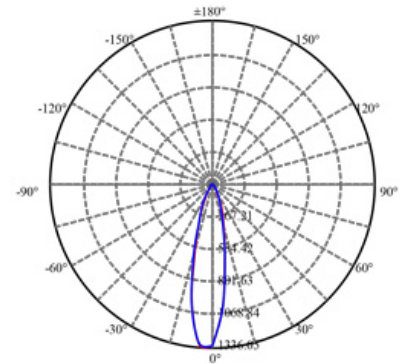
Registration Number: K53C-1137X2 (10/26/2017)
Model Number: LRG2-27K
Type: Luminaire - Downlight

PHOTOMETRIC DATA OF A LAB TESTED SAMPLE

MODEL:	LRG-27K	LAMP FLUX:	380 LM
VOLTAGE:	120 V	LUMENS / POWER:	80 LM/W
POWER:	4.74 W	CENTRAL INTENSITY:	1320 CD
PF:	0.95	BEAM ANGLE:	24 DEGREES



Max , Ave Beam angle of C225plane28.87



ORDERING GUIDE

Example: LRG2 - 27K - WH

LRG2 - 27K - Trim Finish
 WH : White
 BK : Black

ACCESSORIES

Sold Separately



Low Volage Extension Cables
 6ft - cat # EXC6, 20ft - cat # EXC20
 Max 40 ft Extension Allowed



Warehouses

Vancouver Toronto Las Vegas Naples Philadelphia Dallas Seattle

tel: 1-844-24-LOTUS (56887)

fax: 1-877-561-6306

www.lotusLEDlights.com