



LRG2-HO

2" Round Regressed Gimbal LED 5.5W



Type IC, Wet & Air-Tight

DESCRIPTION

2" Round Regressed Gimbal LED
 With Integral Driver In Connection Box
 Gimbal Yet Air-Tight Without Housing Needed
 2nd generation High Output of our original patented best seller

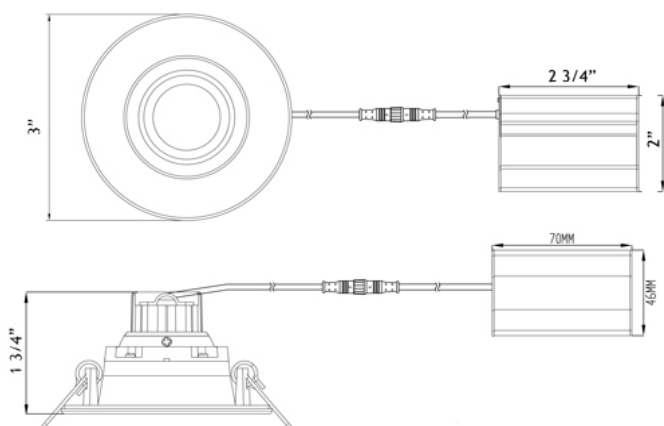
FEATURES & BENEFITS

1 3/4" Deep - Install Where Ceiling Space Is Limited
 Choice of 5 Light Colors 2700 | 3000 | 3500 | 4000 | 5000K
 or Dim to Warm 3000K to 1800K options
 CRI 90+ for True Color Rendering
 Directional Beam - Great for Sloped Ceilings and Artwork
 Driver Inside Connection Box - No Junction Box Needed
 Type IC Rated - No Housing Required
 Fast & Easy To Install - Save On Labor

MOUNTING

Cut Hole In Ceiling And Snap Fixture In Opening
 With Attached Spring Clips
 Ceiling Clearance Required:
 1 1/2" With Driver Remotely Installed
 5" When Driver Is Next To The Fixture

DIMENSIONS: ID 2 1/2" OD 3" Cut Out 2 1/2" to 2 3/4"



ORDERING GUIDE

Example 3000K WH **LRG2-30K-HO-WH**

LRG2	CCT		Trim Finish	
	- xxK	- HO	- xx	
2700K	- 27K		- WH	White
3000K	- 30K		- BK	Black
3500K	- 35K			
4100K	- 41K			
5000K	- 50K			
3018K	- 3018K			Dim to Warm 3000K-1800K

Project: _____

Location: _____

Model #: _____ Qty: _____

Notes: _____

SPECIFICATION	
Applications	Cabinets, Recessed Alcoves, Slopped Ceilings
Energy Used	5.5 W
Color Temperature (K)	2700 3000 3500 4000 5000 DTW
Light Output (lm)	450 490 500 530 550 430
Beam Angle	36° Beam with 20° tilt and 360° rotation
CRI	90 +
Default Driver Input	120V AC Triac Dimmable
Optional Driver Input	120V-347V AC 0-10V Dimmable
Power Factor	0.95
Junction Box Wire Capacity	Maximum of 3 No 12 AWG
Approved Location	Insulated Ceiling & Wet Locations
IP Rating	IP 54
Air Tight	Yes
Ambient Temperature	-40°F (-40°C) to +104°F (+40°C)
Projected Life	70% Light Output at 50,000 Hours
Certification	cULus Energy Star T24
Warranty	10 Year Residential / 5 Year Commercial

AVAILABLE TRIMS



White



Black

120V TRIAC Dimmable Driver Included

Optional 120V - 347V Driver
 0-10V Dimmable



[model # LLL-LD0612T](#)

ACCESSORIES

Sold Separately



Low Voltage Extension Cables. Max 40 ft Allowed

[6ft - model # EXC6](#)
[20ft - model # EXC20](#)

[Flanged Mounting Plate with bars model FRP212](#)

[Rough-In Plates - model # RIP212](#)

[Goof Ring OD 4 1/2" White GR3 Black GR3-BK](#)

COMPLIANCE



**Type IC
 Air-Tight
 Wet Location**

USA Patent # US 10,344,952 B2 | Canada Patent # 2,967,954