

### Type IC, Wet & Air-Tight



#### DESCRIPTION

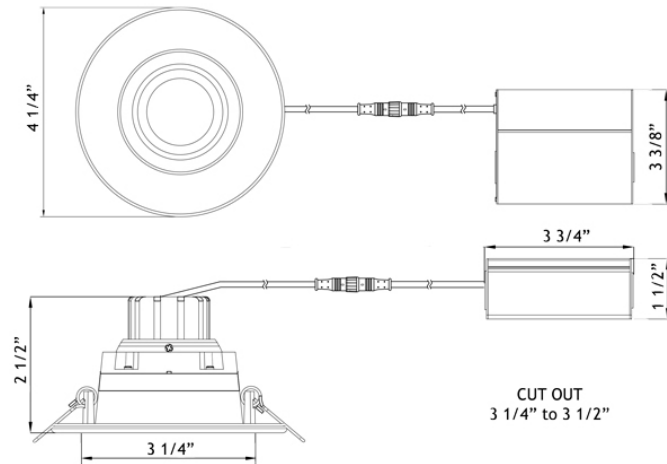
3/4" Regressed 3" Gimbal Round LED With Integral Driver In Connection Box.  
Fits Where No Other Recessed Fixture Can.  
**Unique Design: Gimbal Yet Air-Tight Without Housing Needed.**

#### FEATURES & BENEFITS

- 2 1/2" Thin** - Install Where Ceiling Space Is Limited.
- Type IC Rated** - No Housing Required
- Fast & Easy To Install** - Save On Labour
- Driver Inside Connection Box** - No Junction Box Needed
- Directional Beam** - Great for Sloped Ceilings and Highlighting Artwork
- CRI 92** - True Colour Rendering

#### MOUNTING

Cut Hole In Ceiling And Snap Fixture In Opening With Attached Spring Clips.  
Ceiling Clearance Required:  
2 1/2" for Romex, 3 1/2" for MC or BX installations



Project: \_\_\_\_\_

Location: \_\_\_\_\_

Trim Finish: \_\_\_\_\_ Qty: \_\_\_\_\_

Notes: \_\_\_\_\_

SPECIFICATION	
Applications	Sloped Ceilings, Highlighting Artwork
Energy Used	7.5 W
Colour Temperature	3000 K
Light Output	600 lm
Halogen Equivalent	50 W
Beam Angle	38° Beam with 20° tilt and 360° rotation
CRI	> 90
Driver Input	120V AC or 277V-347V AC 50/60 Hz
Power Factor	0.98
Dimming	TRIAC Dimmers 5% - 100%
Approved Location	Insulated Ceiling, Damp & Wet Locations
IP Rating	IP 54
Air Tight	Yes
Ambient Temperature	-40° F (-40° C) to +104° F (+40° C)
Projected Life	70% Light Output at 50,000 Hours
Certification	cULus, Energy Star, T24
<b>Warranty</b>	<b>10 Year on Residential</b> <b>5 Year on Commercial Applications</b>

#### Driver Included



#### Available Trims



White



Black

#### COMPLIANCE



**CHARACTERISTICS**

**Unique Design:** 3/4" Regressed 3" Gimbal with 20° tilt and 360° rotation, Yet Air-Tight Without Housing Needed. Patent Pending.

**Body:** Durable, Die Cast Aluminum Alloy for Optimal Heat Dissipation.

**Paint:** Oil Based Spray Painted - Scratch Resistant And Smooth Finish.

**LED:** Epistar COB Custom Packaged by Hongli Tronic with LM80.

Guaranteed 98% Lumen Maintenance After 6,000 Hours.

Strict Binning To Ensure Consistent Light Colour. CRI 92 for True Colour Rendering.

**Driver:** 4th Generation Lotus Designed. Field Proven Since 2011.

**Connection Box:** Patented Invention By Lotus LED Lights.

Saves Contractors Labour On Installation.

**Testing:** Every Single Driver Is Powered For Minimum 24 Hours Together With The Fixture That It Is Shipped With. No Random Tests - We Hand Test Every Fixture & Driver.

**Lighting facts**  
A Program of the U.S. DOE

<b>Light Output (Lumens)</b>	<b>600</b>
<b>Watts</b>	<b>7.5</b>
<b>Lumens per Watt (Efficacy)</b>	<b>80</b>
<b>Color Accuracy</b>	
Color Rendering Index (CRI)	<b>90</b>
<b>Light Color</b>	
Correlated Color Temperature (CCT)	<b>3000 (Bright White)</b>

2700K 3000K 4500K 6500K

Warm White Bright White Daylight

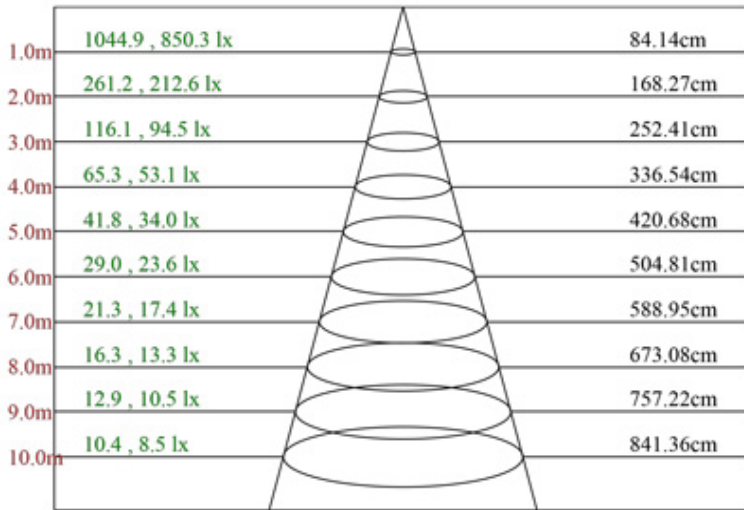
All results are according to IESNA LM-79-2008: Approved Method for the Electrical and Photometric Testing of Solid-State Lighting. The U.S. Department of Energy (DOE) verifies product test data and results.

Visit [www.lightingfacts.com](http://www.lightingfacts.com) for the Label Reference Guide.

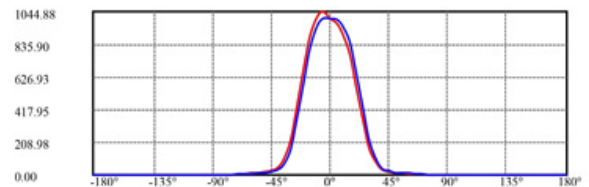
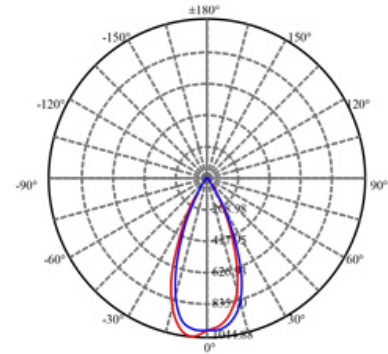
Registration Number: K53C-XN7FV2 (10/28/2017)  
Model Number: LRG3-30K  
Type: Luminaire - Downlight

**PHOTOMETRIC DATA OF A LAB TESTED SAMPLE**

MODEL:	LRG3-30K	LAMP FLUX:	606 LM
VOLTAGE:	120 V	LUMENS / POWER:	86 LM/W
POWER:	7.04 W	CENTRAL INTENSITY:	999 CD
PF:	0.99	BEAM ANGLE:	46 DEGREES



Max , Ave Beam angle of C180plane45.62



**ORDERING GUIDE**

Example: LRG3 - 30K - WH

LRG3 - 30K -  Trim Finish  
WH : White  
BK : Black

Order 277V - 347V Optional Driver Separately As cat # LLL-LD0617H



**ACCESSORIES**

Sold Separately



Low Volage Extension Cables  
6ft - cat # EXC6, 20ft - cat # EXC20  
Max 40 ft Extension Allowed



Flanged Rough-In Plate - cat # LRP312



Vancouver Toronto Las Vegas Naples Philadelphia Dallas Seattle

tel: 1-844-24-LOTUS (56887)

fax: 1-877-561-6306

[www.lotusLEDlights.com](http://www.lotusLEDlights.com)