

Type IC, Wet & Air-Tight



DESCRIPTION

3" Round Regressed Gimbal LED With Integral Driver In Connection Box
Fits Where No Other Recessed Fixture Can. 15° Spotlight
Unique Design: Gimbal Yet Air-Tight Without Housing Needed

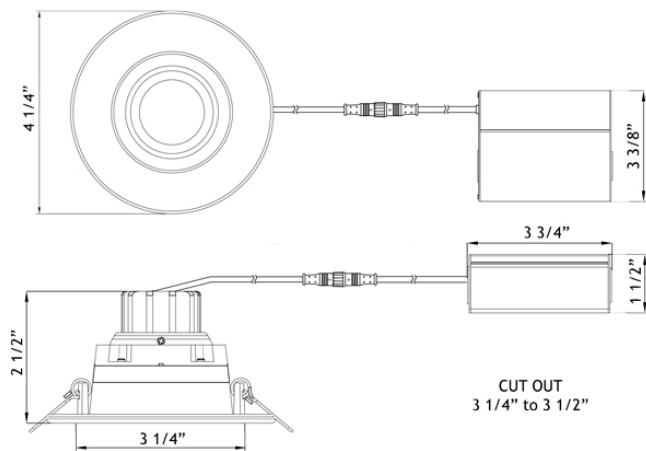
FEATURES & BENEFITS

2 1/2" Thin - Install Where Ceiling Space Is Limited
Type IC Rated - No Housing Required
Fast & Easy To Install - Save On Labour
Driver Inside Connection Box - No Junction Box Needed
Directional Beam - Great for Sloped Ceilings and Highlighting Artwork
CRI 90+ for True Colour Rendering

MOUNTING

Cut Hole In Ceiling And Snap Fixture In Opening With Attached Spring Clips
Ceiling Clearance Required:
2 1/2" for Romex, 3 1/2" for MC or BX installations

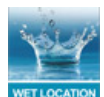
DIMENSIONS



COMPLIANCE



Canadian Patent No. 2,967,954 and United States Patent Pending



Project: _____

Location: _____

Trim Finish: _____ Qty: _____

Notes: _____

SPECIFICATION	
Applications	Jewellery Stores, Highlighting Artwork
Energy Used	7.5 W
Colour Temperature	4000 K
Light Output	630 lm
Halogen Equivalent	50 W
Beam Angle	15° Beam with 20° tilt and 360° rotation
CRI	90 +
Driver Input	120V AC or 277V-347V AC 50/60 Hz
Power Factor	0.98
Dimming	TRIAC Dimmers 5% - 100%
Approved Location	Insulated Ceiling, Damp & Wet Locations
IP Rating	IP 54
Air Tight	Yes
Ambient Temperature	-40° F (-40° C) to +104° F (+40° C)
Projected Life	70% Light Output at 50,000 Hours
Certification	cULus, Energy Star, T24
Warranty	10 Year on Residential 5 Year on Commercial Applications

Driver Included

Cable Rating FT4 / CM



Available Trims



White

Black

CHARACTERISTICS

Unique Design: 3/4" Regressed 3" Gimbal with 20° tilt and 360° rotation. Air-Tight Without

Housing Needed. **Canadian Patent No. 2,967,954 and United States Patent Pending.**

Body: Durable, Die Cast Aluminum Alloy for Optimal Heat Dissipation.

Paint: Oil Based Spray Painted - Scratch Resistant And Smooth Finish.

LED: Epistar COB Custom Packaged by Hongli Tronic with LM80.

Guaranteed 98% Lumen Maintenance After 6,000 Hours.

Strict Binning To Ensure Consistent Light Colour. CRI 90 for True Colour Rendering.

Driver: 4th Generation Lotus Designed. Field Proven Since 2011.

Connection Box: Patented Invention By Lotus LED Lights.

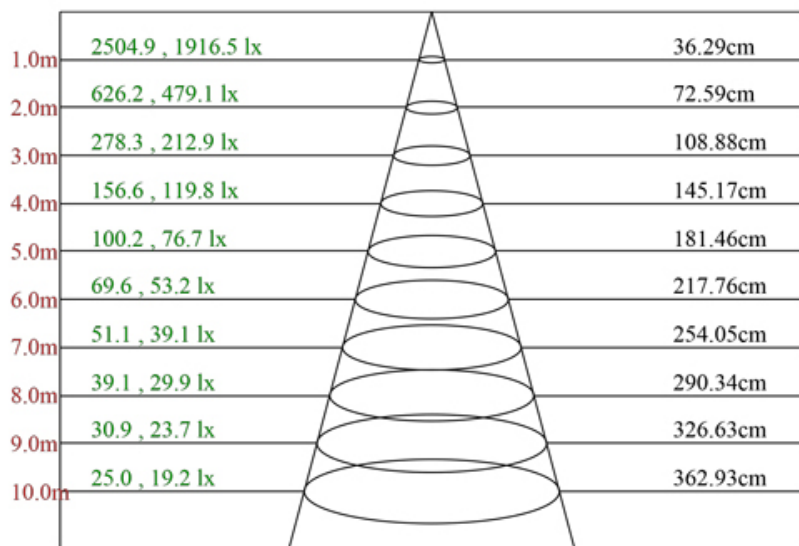
Saves Contractors Labour On Installation.

Testing: Every Single Driver Is Powered For Minimum 24 Hours Together With The

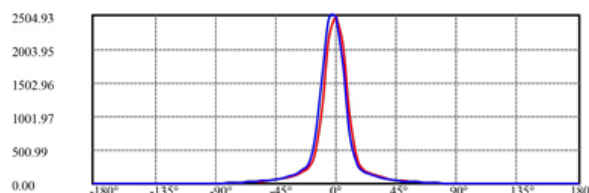
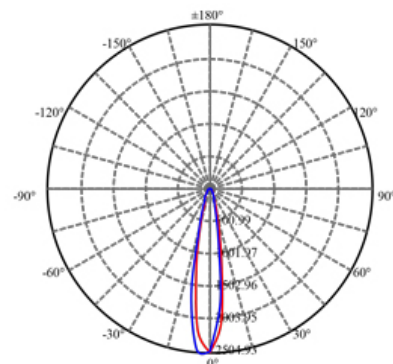
Fixture That It Is Shipped With. No Random Tests.

PHOTOMETRIC DATA OF A LAB TESTED SAMPLE

MODEL:	LRG3-40K	LAMP FLUX:	624 LM
VOLTAGE:	120 V	LUMENS / POWER:	88 LM/W
POWER:	7.05 W	CENTRAL INTENSITY:	1005 CD
PF:	0.99	BEAM ANGLE:	46 DEGREES



Max , Ave Beam angle of C0plane20.57



ORDERING GUIDE

Example: LRG3 - 40K - WH - 15D

LRG3 - 40K - - 15D
 Trim Finish
 WH : White
 BK : Black

Order 277V - 347V Optional Driver Separately As cat # LLL-LD0617H



ACCESSORIES



Low Volage Extension Cables
 6ft - cat # EXC6, 20ft - cat # EXC20
 Max 40 ft Extension Allowed



Flanged Rough-In Plate - cat # LRP312



Warehouses

Vancouver Toronto Las Vegas Naples Philadelphia Dallas Seattle Chicago Denver

tel: 1-844-24-LOTUS (56887)

fax: 1-877-561-6306

www.lotusLEDlights.com