

### Type IC, Wet & Air-Tight



#### DESCRIPTION

3" Round Regressed Gimbal LED With Integral Driver In Connection Box  
Fits Where No Other Recessed Fixture Can  
**Unique Design: Gimbal Yet Air-Tight Without Housing Needed**

#### FEATURES & BENEFITS

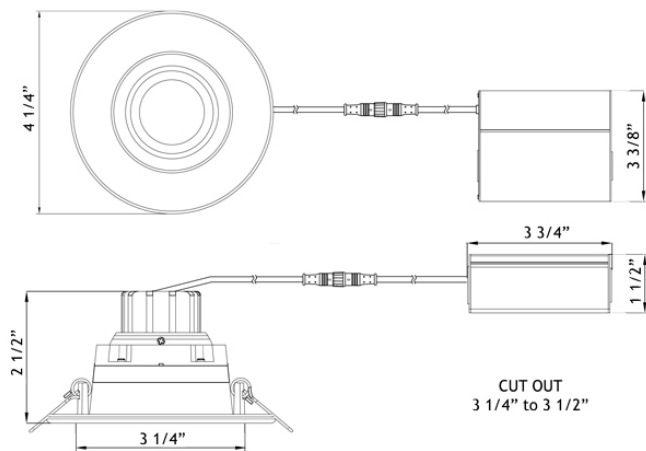
**2 1/2" Thin** - Install Where Ceiling Space Is Limited  
**Type IC Rated** - No Housing Required  
**Fast & Easy To Install** - Save On Labour  
**Driver Inside Connection Box** - No Junction Box Needed  
**Directional Beam** - Great for Sloped Ceilings and Highlighting Artwork  
**CRI 90+** for True Colour Rendering

#### MOUNTING

Cut Hole In Ceiling And Snap Fixture In Opening With Attached Spring Clips  
Ceiling Clearance Required:  
2 1/2" for Romex, 3 1/2" for MC or BX installations

#### DIMENSIONS

ID 3 1/4" OD 4 1/4" Cut Out 3 1/4" to 3 1/2"



#### COMPLIANCE



Canadian Patent No. 2,967,954 and United States Patent Pending



Project: \_\_\_\_\_

Location: \_\_\_\_\_

Trim Finish: \_\_\_\_\_ Qty: \_\_\_\_\_

Notes: \_\_\_\_\_

SPECIFICATION	
Applications	Sloped Ceilings, Highlighting Artwork
Energy Used	7.5 W
Colour Temperature	4000 K
Light Output	630 lm
Halogen Equivalent	50 W
<b>Beam Angle</b>	<b>38° Beam with 20° tilt and 360° rotation</b>
CRI	90 +
Driver Input	120V AC or 277V-347V AC 50/60 Hz
Power Factor	0.98
Dimming	TRIAC Dimmers 5% - 100%
Approved Location	Insulated Ceiling, Damp & Wet Locations
IP Rating	IP 54
Air Tight	Yes
Ambient Temperature	-40° F (-40° C) to +104° F (+40° C)
Projected Life	70% Light Output at 50,000 Hours
Certification	cULus, Energy Star, T24
<b>Warranty</b>	<b>10 Year on Residential 5 Year on Commercial Applications</b>

#### Driver Included

Cable Rating FT4 / CM



#### Available Trims



White

Black

**CHARACTERISTICS**

**Unique Design:** 3/4" Regressed 3" Gimbal with 20° tilt and 360° rotation. Air-Tight Without Housing Needed. **Canadian Patent No. 2,967,954 and United States Patent Pending.**

**Body:** Durable, Die Cast Aluminum Alloy for Optimal Heat Dissipation.

**Paint:** Oil Based Spray Painted - Scratch Resistant And Smooth Finish.

**LED:** Epistar COB Custom Packaged by Hongli Tronic with LM80.

Guaranteed 98% Lumen Maintenance After 6,000 Hours.

Strict Binning To Ensure Consistent Light Colour. CRI 90 for True Colour Rendering.

**Driver:** 4th Generation Lotus Designed. Field Proven Since 2011.

**Connection Box:** Patented Invention By Lotus LED Lights.

Saves Contractors Labour On Installation.

**Testing:** Every Single Driver Is Powered For Minimum 24 Hours Together With The Fixture That It Is Shipped With. No Random Tests.

**LED lighting facts**  
A Program of the U.S. DOE

Light Output (Lumens)	620
Watts	7.5
Lumens per Watt (Efficacy)	82.67

---

**Color Accuracy**  
Color Rendering Index (CRI) **90**

---

**Light Color**  
Correlated Color Temperature (CCT) **4000 (Bright White)**

2700K 3000K 4500K 6500K

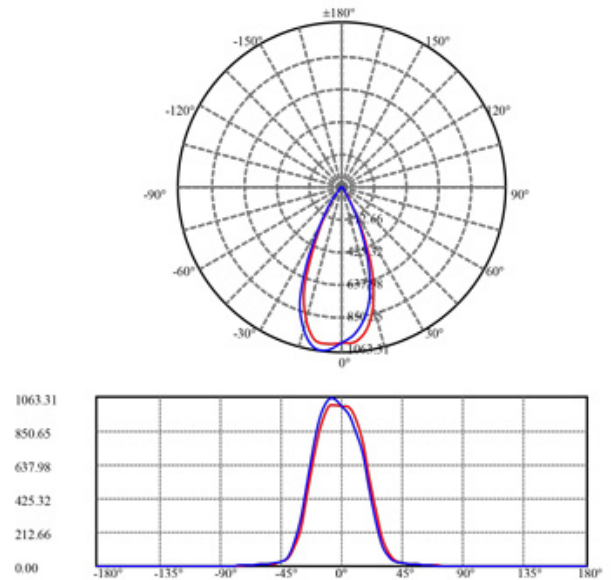
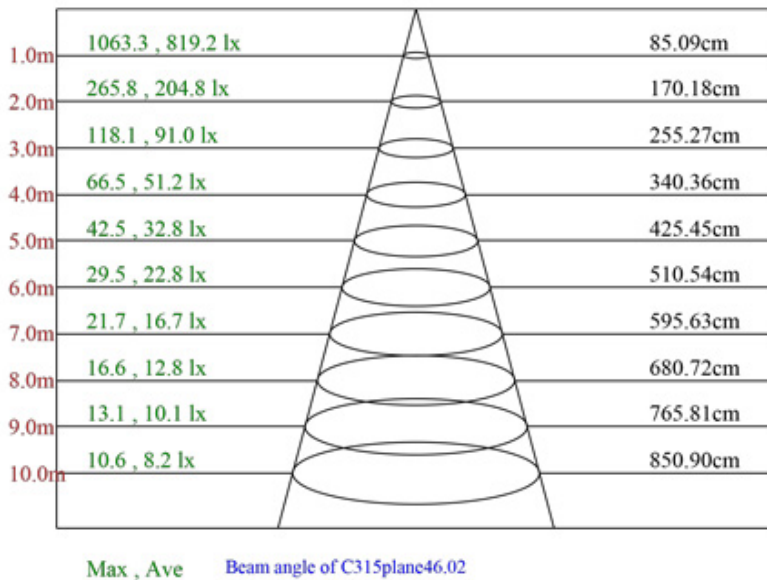
All results are according to IESNA LM-79-2008: Approved Method for the Electrical and Photometric Testing of Solid-State Lighting. The U.S. Department of Energy (DOE) verifies product test data and results.

Visit [www.lightingfacts.com](http://www.lightingfacts.com) for the **Label Reference Guide**.

Registration Number: K53C-R6TGWF (10/26/2017)  
Model Number: LRG3-40K  
Type: Luminaire - Downlight

**PHOTOMETRIC DATA OF A LAB TESTED SAMPLE**

MODEL:	LRG3-40K	LAMP FLUX:	624 LM
VOLTAGE:	120 V	LUMENS / POWER:	88 LM/W
POWER:	7.05 W	CENTRAL INTENSITY:	1005 CD
PF:	0.99	BEAM ANGLE:	46 DEGREES



**ORDERING GUIDE**

Example: **LRG3 - 40K - WH**

**LRG3 - 40K -**   
**WH :** White  
**BK :** Black

Order 277V - 347V Optional Driver Separately As cat # LLL-LD0617H



**ACCESSORIES**



Low Volage Extension Cables  
 6ft - cat # **EXC6**, 20ft - cat # **EXC20**  
 Max 40 ft Extension Allowed



Flanged Rough-In Plate - cat # **LRP312**



**Warehouses**  
 Vancouver Toronto Las Vegas Naples Philadelphia Dallas Seattle Chicago Denver

tel: **1-844-24-LOTUS (56887)**

fax: 1-877-561-6306

[www.lotusLEDlights.com](http://www.lotusLEDlights.com)