

Type IC, Wet & Air-Tight



DESCRIPTION

1 1/2" Regressed 6" Gimbal Round LED With Integral Driver In Connection Box.
Fits Where No Other Recessed Fixture Can.

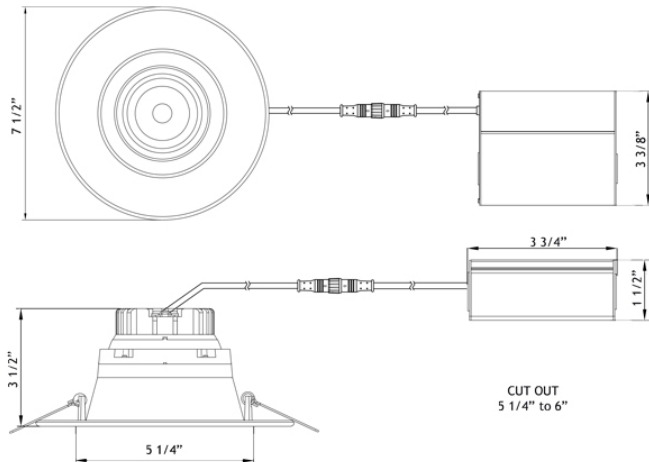
Unique Design: Gimbal Yet Air-Tight Without Housing Needed.

FEATURES & BENEFITS

- 3 1/2" Thin** - Install Where Ceiling Space Is Limited.
- Type IC Rated** - No Housing Required
- Fast & Easy To Install** - Save On Labour
- Driver Inside Connection Box** - No Junction Box Needed
- Directional Beam** - Great for Sloped Ceilings and Highlighting Artwork
- CRI 92** - True Colour Rendering

MOUNTING

Cut Hole In Ceiling And Snap Fixture In Opening With Attached Spring Clips.
Ceiling Clearance Required: 3 1/2"



Project: _____

Location: _____

Trim Finish: _____ Qty: _____

Notes: _____

SPECIFICATION	
Applications	Sloped Ceilings, Highlighting Artwork
Energy Used	15 W
Colour Temperature	2700 K
Light Output	1200 lm
Halogen Equivalent	100 W
Beam Angle	38° Beam with 20° tilt and 360° rotation
CRI	> 90
Driver Input	120V AC or 277V-347V AC 50/60 Hz
Power Factor	0.98
Dimming	TRIAC Dimmers 5% - 100%
Approved Location	Insulated Ceiling, Damp & Wet Locations
IP Rating	IP 54
Air Tight	Yes
Ambient Temperature	-40° F (-40° C) to +104° F (+40° C)
Projected Life	70% Light Output at 50,000 Hours
Certification	cULus, Energy Star, T24
Warranty	10 Year on Residential 5 Year on Commercial Applications

Driver Included



Available Trims



White



Black

COMPLIANCE



Warehouses

Vancouver

Toronto

Las Vegas

Naples

Philadelphia

Dallas

Seattle

CHARACTERISTICS

- Unique Design:** 1 1/2" Regressed 6" Gimbal with 20° tilt and 360° rotation, Yet Air-Tight Without Housing Needed. Patent Pending.
- Body:** Durable, Die Cast Aluminum Alloy for Optimal Heat Dissipation.
- Paint:** Oil Based Spray Painted - Scratch Resistant And Smooth Finish.
- LED:** Epistar COB Custom Packaged by Hongli Tronic with LM80.
- Guaranteed 98% Lumen Maintenance After 6,000 Hours.
- Strict Binning To Ensure Consistent Light Colour. CRI 92 for True Colour Rendering.
- Driver:** 4th Generation Lotus Designed. Field Proven Since 2011.
- Connection Box:** Patented Invention By Lotus LED Lights.
- Saves Contractors Labour On Installation.
- Testing:** Every Single Driver Is Powered For Minimum 24 Hours Together With The Fixture That It Is Shipped With. No Random Tests - We Hand Test Every Fixture & Driver.

LOTUS LED Lights

LED lighting facts
A Program of the U.S. DOE

Light Output (Lumens)	1200
Watts	15
Lumens per Watt (Efficacy)	80
Color Accuracy Color Rendering Index (CRI)	90
Light Color Correlated Color Temperature (CCT)	2700 (Warm White)

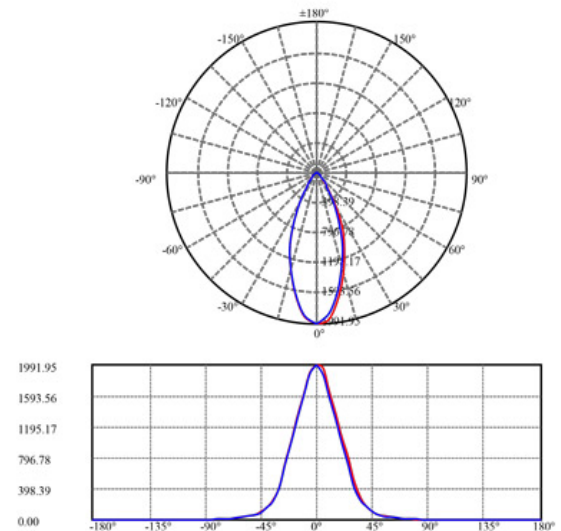
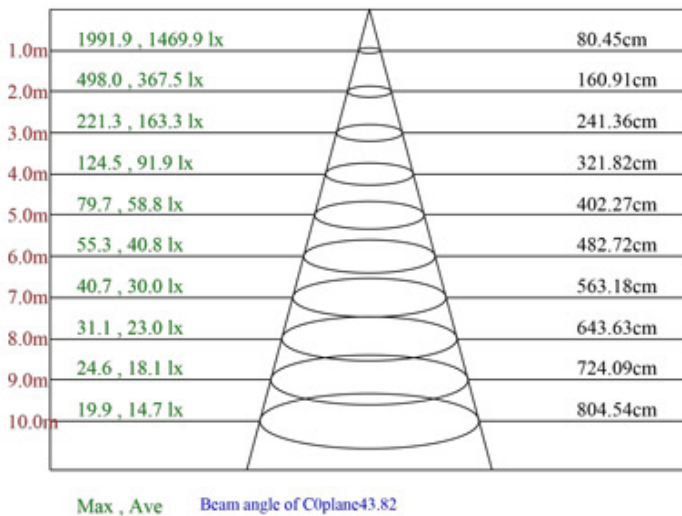
All results are according to IESNA LM-79-2008: Approved Method for the Electrical and Photometric Testing of Solid-State Lighting. The U.S. Department of Energy (DOE) verifies product test data and results.

Visit www.lightingfacts.com for the Label Reference Guide.

Registration Number: K53C-WA6E4J (10/28/2017)
Model Number: LRG6-27K
Type: Luminaire - Downlight

PHOTOMETRIC DATA OF A LAB TESTED SAMPLE

MODEL:	LRG6-27K	LAMP FLUX:	1210 LM
VOLTAGE:	120 V	LUMENS / POWER:	84 LM/W
POWER:	14.44	CENTRAL INTENSITY:	1992 CD
PF:	0.99	BEAM ANGLE:	42 DEGREES



ORDERING GUIDE

Example: LRG6 - 27K - WH

LRG6 - 27K -
 WH : White
 BK : Black

Order 277V - 347V Optional Driver Separately As cat # LLL-LD1535H



ACCESSORIES

Sold Separately



Low Volage Extension Cables
 6ft - cat # EXC6, 20ft - cat # EXC20
 Max 40 ft Extension Allowed



Flat Rough-In Plate - cat # RIP6



Flanged Rough-In Plate - cat # LRP6



Warehouses

Vancouver Toronto Las Vegas Naples Philadelphia Dallas Seattle

tel: 1-844-24-LOTUS (56887)

fax: 1-877-561-6306

www.lotusLEDlights.com