

Type IC, Wet & Air-Tight



DESCRIPTION

1 1/2" Regressed 6" Gimbal Round LED With Integral Driver In Connection Box.
Fits Where No Other Recessed Fixture Can.

Unique Design: Gimbal Yet Air-Tight Without Housing Needed.

FEATURES & BENEFITS

3 1/2" Thin - Install Where Ceiling Space Is Limited.

Type IC Rated - No Housing Required

Fast & Easy To Install - Save On Labour

Driver Inside Connection Box - No Junction Box Needed

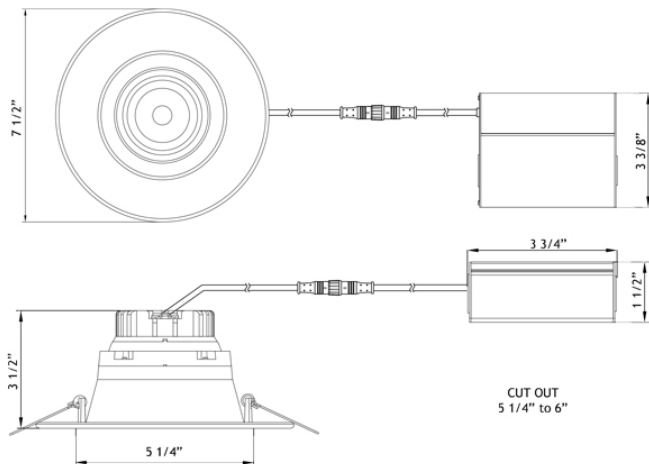
Directional Beam - Great for Sloped Ceilings and Highlighting Artwork

CRI 92 - True Colour Rendering

MOUNTING

Cut Hole In Ceiling And Snap Fixture In Opening With Attached Spring Clips.

Ceiling Clearance Required: 3 1/2"



Project: _____

Location: _____

Trim Finish: _____ Qty: _____

Notes: _____

SPECIFICATION	
Applications	Sloped Ceilings, Highlighting Artwork
Energy Used	15 W
Colour Temperature	4000 K
Light Output	1300 lm
Halogen Equivalent	100 W
Beam Angle	38° Beam with 20° tilt and 360° rotation
CRI	> 90
Driver Input	120V AC or 277V-347V AC 50/60 Hz
Power Factor	0.98
Dimming	TRIAC Dimmers 5% - 100%
Approved Location	Insulated Ceiling, Damp & Wet Locations
IP Rating	IP 54
Air Tight	Yes
Ambient Temperature	-40° F (-40° C) to +104° F (+40° C)
Projected Life	70% Light Output at 50,000 Hours
Certification	cULus, Energy Star, T24
Warranty	10 Year on Residential 5 Year on Commercial Applications

Driver Included



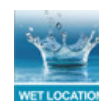
Available Trims



White



Black



COMPLIANCE



CHARACTERISTICS

Unique Design: 1 1/2" Regressed 6" Gimbal with 20° tilt and 360° rotation, Yet Air-Tight Without Housing Needed. Patent Pending.

Body: Durable, Die Cast Aluminum Alloy for Optimal Heat Dissipation.

Paint: Oil Based Spray Painted - Scratch Resistant And Smooth Finish.

LED: Epistar COB Custom Packaged by Hongli Tronic with LM80.

Guaranteed 98% Lumen Maintenance After 6,000 Hours.

Strict Binning To Ensure Consistent Light Colour. CRI 92 for True Colour Rendering.

Driver: 4th Generation Lotus Designed. Field Proven Since 2011.

Connection Box: Patented Invention By Lotus LED Lights.

Saves Contractors Labour On Installation.

Testing: Every Single Driver Is Powered For Minimum 24 Hours Together With The Fixture That It Is Shipped With. No Random Tests - We Hand Test Every Fixture & Driver.


LOTUS LED Lights

LED lighting facts
A Program of the U.S. DOE

Light Output (Lumens)	1300
Watts	15
Lumens per Watt (Efficacy)	86.67

Color Accuracy
Color Rendering Index (CRI) **90**

Light Color
Correlated Color Temperature (CCT) **4000 (Bright White)**



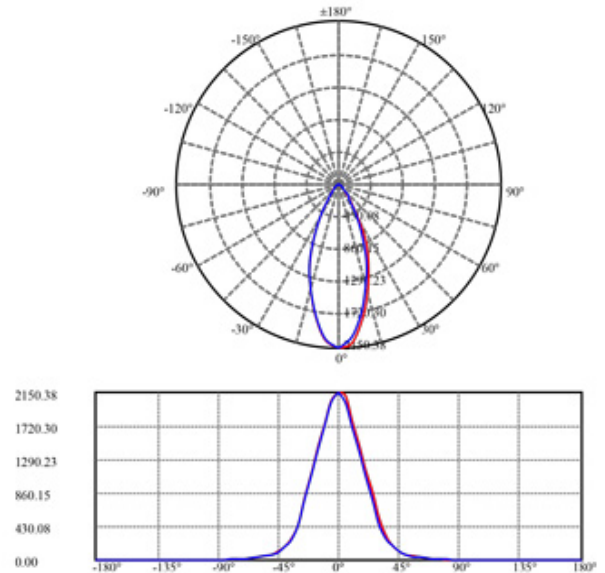
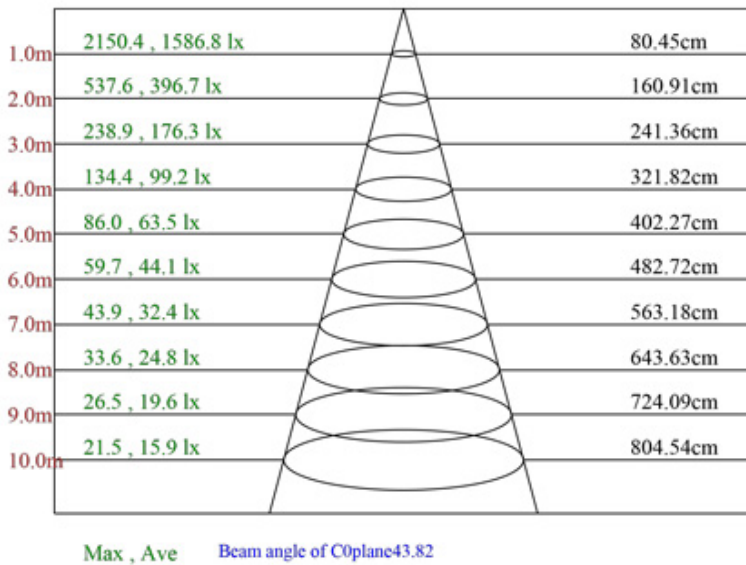
All results are according to IESNA LM-79-2008: Approved Method for the Electrical and Photometric Testing of Solid-State Lighting. The U.S. Department of Energy (DOE) verifies product test data and results.

Visit www.lightingfacts.com for the Label Reference Guide.

Registration Number: K53C-VNRU3K (10/26/2017)
Model Number: LRGB-40K
Type: Luminaire - Downlight

PHOTOMETRIC DATA OF A LAB TESTED SAMPLE

MODEL:	LRG6-40K	LAMP FLUX:	1306 LM
VOLTAGE:	120 V	LUMENS / POWER:	90 LM/W
POWER:	14.56	CENTRAL INTENSITY:	2150 CD
PF:	0.99	BEAM ANGLE:	42 DEGREES



ORDERING GUIDE

Example: LRG6 - 40K - WH

LRG6 - 40K -
 WH : White
 BK : Black

Order 277V - 347V Optional Driver Separately As cat # LLL-LD1535H



ACCESSORIES

Sold Separately



Low Volage Extension Cables
 6ft - cat # EXC6, 20ft - cat # EXC20
 Max 40 ft Extension Allowed



Flat Rough-In Plate - cat # RIP6



Flanged Rough-In Plate - cat # LRP6



Warehouses

Vancouver Toronto Las Vegas Naples Philadelphia Dallas Seattle

tel: 1-844-24-LOTUS (56887)

fax: 1-877-561-6306

www.lotusLEDlights.com