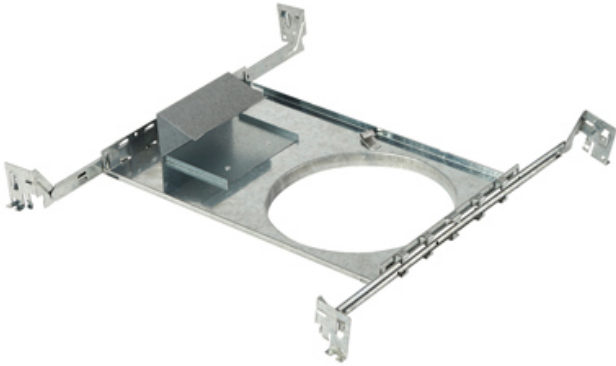


Flanged Rough-In Plate for 6" Recessed LED



Project: _____

Location: _____

Quantity: _____

To be used with Lotus LED Lights model: _____

Notes: _____

DESCRIPTION

The LRP6 is designed for new construction or renovations where the ceiling framing is exposed. It comes with bars adjustable from 14" to 24" to precisely fit joist spacing and is made from sturdy steel for residential, commercial and industrial installations. To be used with Lotus LED Lights compatible fixtures listed on the right.

FEATURES

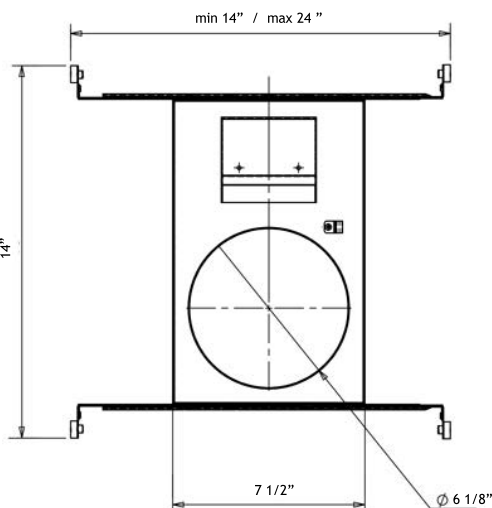
The LRP6 is designed with a 1/2" flange for precise drywall installation and to protect the drywall from damage during installation or removal of the fixtures. This rough-in plate has a driver-connection box mounting bracket to comply with the latest code and allows completion of the electrical wiring before the drywall is installed, thereby saving time and money. The driver can be pulled through the hole in case it needs to be serviced later. A cable strap keeps the connection box cable from being damaged when the hole is cut.

MOUNTING

Measure the desired location for the light fixture. Install the LRP6 by screwing each bar hanger leg to the ceiling framing. Adjust the LRP6 to the desired location and tighten the included bar hanger screws so the rough-in plate will not move during drywall installation. After all cables are installed slide the connection box into the mounting clip. Secure the white low voltage cable of the driver output into the cable strap to avoid damaging the cable when cutting the drywall hole. At time of Lotus LED Lights fixture installation simply reach your hand through the opening and pull the driver cable through. Connect the driver cable and fixture cable, push up the springs and clip the light fixture into the ceiling.

COMPATIBLE FIXTURES

- LY6RCS series
- LY61RCD series
- LL6R series
- LB6R series
- LRG6 series
- LY6S series
- LL6S series
- LL6RR series
- LL6SR series



CEILING CUTOUT - 6 1/8"

ORDERING GUIDE cat # LRP6

