

### Type IC, Wet & Air-Tight



Project: \_\_\_\_\_

Location: \_\_\_\_\_

Trim Finish: \_\_\_\_\_ Qty: \_\_\_\_\_

Notes: \_\_\_\_\_

#### DESCRIPTION

2" Square Regressed Gimbal LED With Integral Driver In Connection Box  
Fits Where No Other Recessed Fixture Can  
**Unique Design: Gimbal Yet Air-Tight Without Housing Needed**

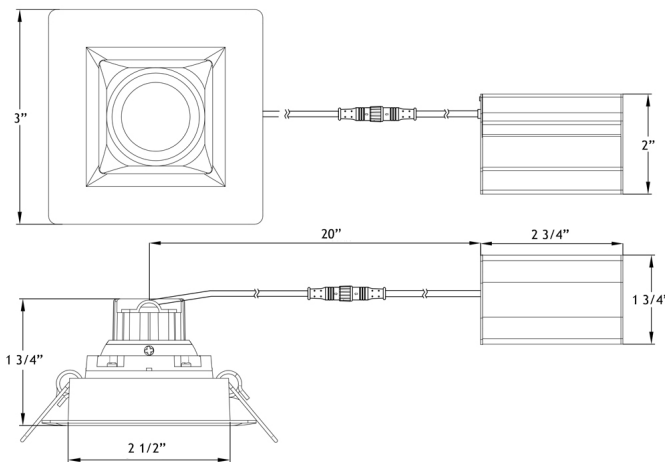
#### FEATURES & BENEFITS

**1 3/4" Thin** - Install Where Ceiling Space Is Limited  
**Type IC Rated** - No Housing Required  
**Fast & Easy To Install** - Save On Labour  
**Driver Inside Connection Box** - No Junction Box Needed  
**Directional Beam** - Great for Sloped Ceilings and Highlighting Artwork  
**CRI 90** - True Colour Rendering

#### MOUNTING

Cut Hole In Ceiling And Snap Fixture In Opening With Attached Spring Clips.  
Ceiling Clearance Required: 2" with driver remotely installed,  
5" if driver is next to the fixture.

**DIMENSIONS** ID 2 1/2" OD 3" Square Cut Out 2 1/2" to 2 3/4"



#### COMPLIANCE



Canadian Patent No. 2,967,954 and United States Patent Pending



SPECIFICATION	
Applications	Cabinets, Recessed Alcoves
Energy Used	5 W
Colour Temperature	2700 K
Light Output	380 lm
Halogen Equivalent	35 W
Beam Angle	24° beam with 20° tilt and 360° rotation
CRI	> 90
Driver Input	120V AC 50/60 Hz
Power Factor	0.95
Dimming	TRIAC Dimmers 5% - 100%
Approved Location	Insulated Ceiling, Damp & Wet Locations
IP Rating	IP 54
Air Tight	Yes
Ambient Temperature	-40° F (-40° C) to +104° F (+40° C)
Projected Life	70% Light Output at 50,000 Hours
Certification	cULus, Energy Star, T24
<b>Warranty</b>	<b>10 Year on Residential</b> <b>5 Year on Commercial Applications</b>

#### Driver Included

Cable Rating FT4 / CM



#### Available Trims



White



Black

**CHARACTERISTICS**

**Unique Design:** 2" Square Regressed Gimbal with 20° tilt and 360° rotation.

Yet Air-Tight Without Housing Needed.

**Body:** Durable, Die Cast Aluminum Alloy for Optimal Heat Dissipation.

**Paint:** Oil Based Spray Painted - Scratch Resistant And Smooth Finish.

**LED:** Epistar COB Custom Packaged by Hongli Tronic with LM80.

Guaranteed 98% Lumen Maintenance After 6,000 Hours.

Strict Binning To Ensure Consistent Light Colour. CRI 90 for True Colour Rendering.

**Driver:** 4th Generation Lotus Designed. Field Proven Since 2011.

**Connection Box:** Patented Invention By Lotus LED Lights.

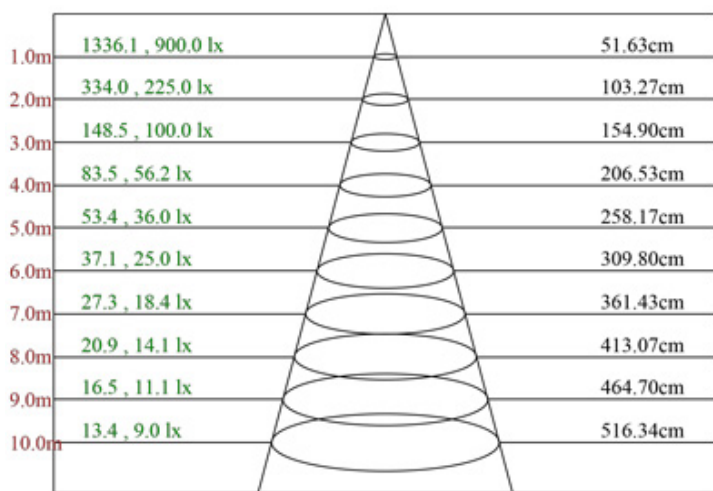
Saves Contractors Labour On Installation.

**Testing:** Every Single Driver Is Powered For Minimum 24 Hours Together With The

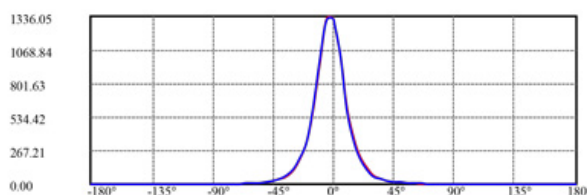
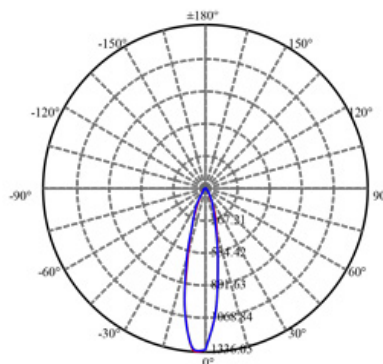
Fixture That It Is Shipped With. No Random Tests.

**PHOTOMETRIC DATA OF A LAB TESTED SAMPLE**

MODEL:	LSG2-27K	LAMP FLUX:	380 LM
VOLTAGE:	120 V	LUMENS / POWER:	77 LM/W
POWER:	4.94 W	CENTRAL INTENSITY:	1323 CD
PF:	0.95	BEAM ANGLE:	28 DEGREES



Max , Ave Beam angle of C225plane28.87



**ORDERING GUIDE**

Example: LSG2 - 27K - WH

LSG2 - 27K -  Trim Finish  
 WH : White  
 BK : Black

**ACCESSORIES**

Sold Separately



Low Volage Extension Cables  
 6ft - cat # EXC6, 20ft - cat # EXC20  
 Max 40 ft Extension Allowed  
 FT4 / CM rated



Rough-In Plates - cat # RIP212



**Warehouses**

Vancouver Toronto Las Vegas Naples Philadelphia Dallas Seattle Chicago

tel: 1-844-24-LOTUS (56887)

fax: 1-877-561-6306

www.lotusLEDlights.com