

Type IC, Wet & Air-Tight



Project: _____

Location: _____

Trim Finish: _____ Qty: _____

Notes: _____

DESCRIPTION

2" Square Regressed Gimbal LED With Integral Driver In Connection Box
Fits Where No Other Recessed Fixture Can
Unique Design: Gimbal Yet Air-Tight Without Housing Needed

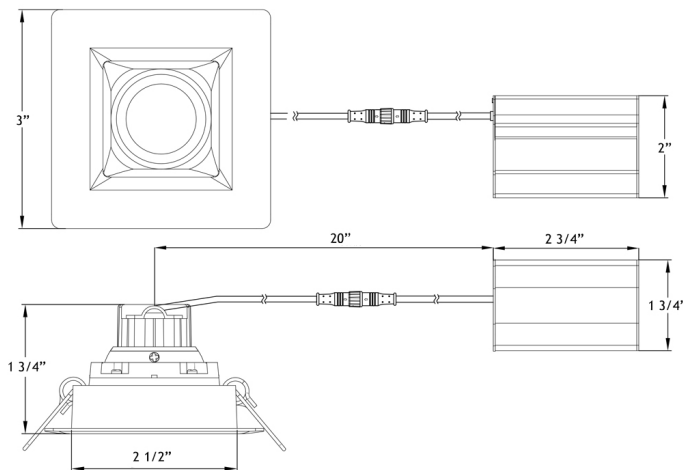
FEATURES & BENEFITS

1 3/4" Thin - Install Where Ceiling Space Is Limited
Type IC Rated - No Housing Required
Fast & Easy To Install - Save On Labour
Driver Inside Connection Box - No Junction Box Needed
Directional Beam - Great for Sloped Ceilings and Highlighting Artwork
CRI 90 - True Colour Rendering

MOUNTING

Cut Hole In Ceiling And Snap Fixture In Opening With Attached Spring Clips.
Ceiling Clearance Required: 2" with driver remotely installed,
5" if driver is next to the fixture.

DIMENSIONS ID 2 1/2" OD 3" Square Cut Out 2 1/2" to 2 3/4"



SPECIFICATION	
Applications	Cabinets, Recessed Alcoves
Energy Used	5 W
Colour Temperature	2700 K
Light Output	430 lm
Halogen Equivalent	35 W
Beam Angle	24° beam with 20° tilt and 360° rotation
CRI	> 90
Driver Input	120V AC 50/60 Hz
Power Factor	0.95
Dimming	TRIAC Dimmers 5% - 100%
Approved Location	Insulated Ceiling, Damp & Wet Locations
IP Rating	IP 54
Air Tight	Yes
Ambient Temperature	-40° F (-40° C) to +104° F (+40° C)
Projected Life	70% Light Output at 50,000 Hours
Certification	cULus, Energy Star, T24
Warranty	10 Year on Residential 5 Year on Commercial Applications

Driver Included

Cable Rating FT4 / CM



Available Trims



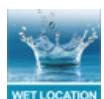
White

Black

COMPLIANCE



Canadian Patent No. 2,967,954 and United States Patent Pending



CHARACTERISTICS

Unique Design: 2" Square Regressed Gimbal with 20° tilt and 360° rotation.

Yet Air-Tight Without Housing Needed.

Body: Durable, Die Cast Aluminum Alloy for Optimal Heat Dissipation.

Paint: Oil Based Spray Painted - Scratch Resistant And Smooth Finish.

LED: Epistar COB Custom Packaged by Hongli Tronic with LM80.

Guaranteed 98% Lumen Maintenance After 6,000 Hours.

Strict Binning To Ensure Consistent Light Colour. CRI 90 for True Colour Rendering.

Driver: 4th Generation Lotus Designed. Field Proven Since 2011.

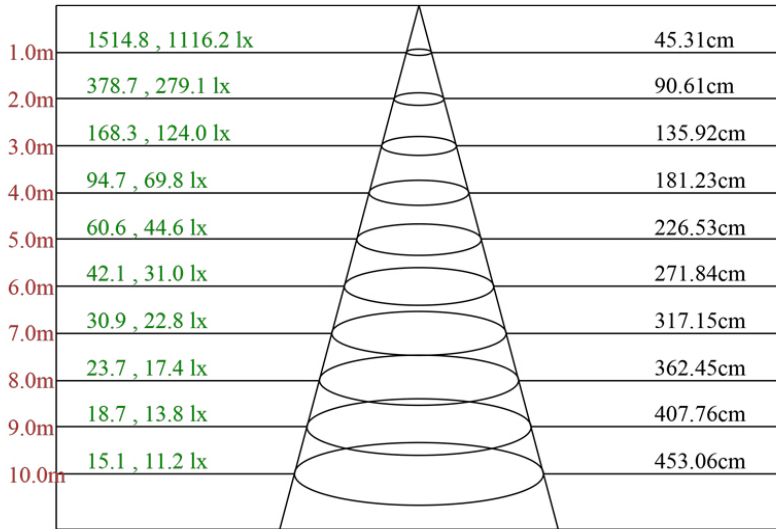
Connection Box: Patented Invention By Lotus LED Lights.

Saves Contractors Labour On Installation.

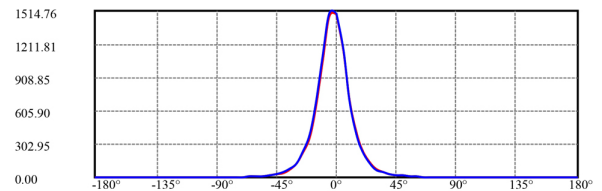
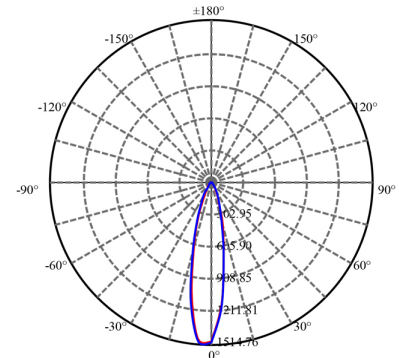
Testing: Every Single Driver Is Powered For Minimum 24 Hours Together With The Fixture That It Is Shipped With. No Random Tests.

PHOTOMETRIC DATA OF A LAB TESTED SAMPLE

MODEL:	LSG2-40K	LAMP FLUX:	432 LM
VOLTAGE:	120 V	LUMENS / POWER:	87 LM/W
POWER:	4.94 W	CENTRAL INTENSITY:	1484 CD
PF:	0.95	BEAM ANGLE:	25 DEGREES



Max , Ave Beam angle of C157.5plane25.53



ORDERING GUIDE

Example: LSG2 - 40K - WH

LSG2 - 40K - Trim Finish
 WH : White
 BK : Black

ACCESSORIES

Sold Separately



Low Volage Extension Cables
 6ft - cat # EXC6, 20ft - cat # EXC20
 Max 40 ft Extension Allowed
 FT4 / CM rated



Rough-In Plates - cat # RIP212



Warehouses

Vancouver Toronto Las Vegas Naples Philadelphia Dallas Seattle Chicago

tel: 1-844-24-LOTUS (56887)

fax: 1-877-561-6306

www.lotusLEDlights.com