



# LSG2-HO

## 2" Square Regressed Gimbal LED 5.5W



**Type IC, Wet & Air-Tight**

### DESCRIPTION

2" Square Regressed Gimbal LED  
 With Integral Driver In Connection Box  
 Gimbal Yet Air-Tight Without Housing Needed  
 2nd generation High Output of our original patented best seller

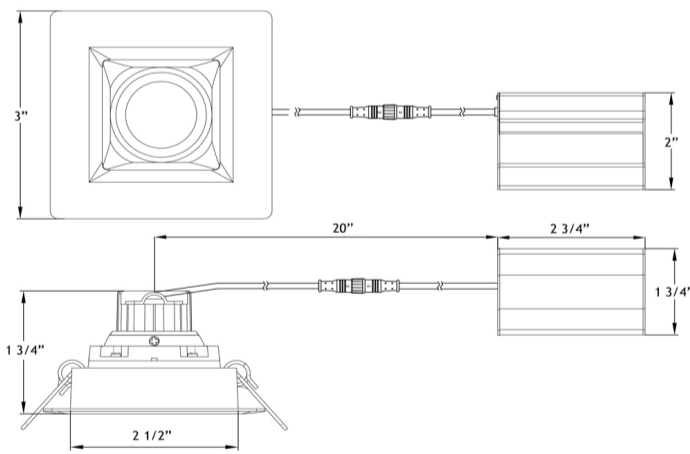
### FEATURES & BENEFITS

1 3/4" Deep - Install Where Ceiling Space Is Limited  
 Choice of 5 Light Colors 2700 | 3000 | 3500 | 4000 | 5000K  
 or Dim to Warm 3000K to 1800K options  
 CRI 90+ for True Color Rendering  
 Directional Beam - Great for Sloped Ceilings and Artwork  
 Driver Inside Connection Box - No Junction Box Needed  
 Type IC Rated - No Housing Required  
 Fast & Easy To Install - Save On Labor

### MOUNTING

Cut Hole In Ceiling And Snap Fixture In Opening  
 With Attached Spring Clips  
 Ceiling Clearance Required:  
 1 1/2" With Driver Remotely Installed  
 5" When Driver Is Next To The Fixture

**DIMENSIONS:** ID 2 1/2" OD 3" SQ Cut Out 2 1/2" to 2 3/4"



### ORDERING GUIDE

Example 3000K WH **LSG2-30K-HO-WH**

LSG2	CCT		Trim Finish	
	- xxK	- HO	- xx	
2700K	- 27K		- WH	<a href="#">White</a>
3000K	- 30K		- BK	<a href="#">Black</a>
3500K	- 35K		- ORB	<a href="#">Oil Rubbed Bronze</a>
4100K	- 41K			
5000K	- 50K			
3018K	- 3018K			Dim to Warm 3000K-1800K

Project: \_\_\_\_\_

Location: \_\_\_\_\_

Model #: \_\_\_\_\_ Qty: \_\_\_\_\_

Notes: \_\_\_\_\_

SPECIFICATION	
Applications	Cabinets, Recessed Alcoves, Sloped Ceilings
Energy Used	5.5 W
Color Temperature (K)	2700   3000   3500   4000   5000   DTW
Light Output (lm)	450   490   500   530   550   430
Beam Angle	36° Beam with 20° tilt and 360° rotation
CRI	90 +
Default Driver Input	120V AC Triac Dimmable
Optional Driver Input	120V-347V AC 0-10V Dimmable
Power Factor	0.95
Junction Box Wire Capacity	Maximum of 3 No 12 AWG
Approved Location	Insulated Ceiling & Wet Locations
IP Rating	IP 54
Air Tight	Yes
Ambient Temperature	-40°F (-40°C) to +104°F (+40°C)
Projected Life	70% Light Output at 50,000 Hours
Certification	cULus Energy Star T24
Warranty	10 Year Residential / 5 Year Commercial

### AVAILABLE TRIMS



White



Black



Oil Rubbed Bronze

120V TRIAC Dimmable Driver Included

Optional 120V - 347V Driver  
 0-10V Dimmable



[model # LLL-LD0612T](#)

### ACCESSORIES

Sold Separately



Low Voltage Extension Cables. Max 40 ft Allowed

[6ft - model # EXC6](#)  
[20ft - model # EXC20](#)

[Flanged Mounting Plate with bars model FRP212](#)

[Rough-In Plates - model # RIP212](#)

### COMPLIANCE



**Type IC  
 Air-Tight  
 Wet Location**

USA Patent # US 10,344,952 B2 | Canada Patent # 2,967,954