

### Type IC, Wet & Air-Tight



Project: \_\_\_\_\_

Location: \_\_\_\_\_

Trim Finish: \_\_\_\_\_ Qty: \_\_\_\_\_

Notes: \_\_\_\_\_

#### DESCRIPTION

3" Square Regressed Gimbal LED With Integral Driver In Connection Box  
Fits Where No Other Recessed Fixture Can  
**Unique Design: Gimbal Yet Air-Tight Without Housing Needed**

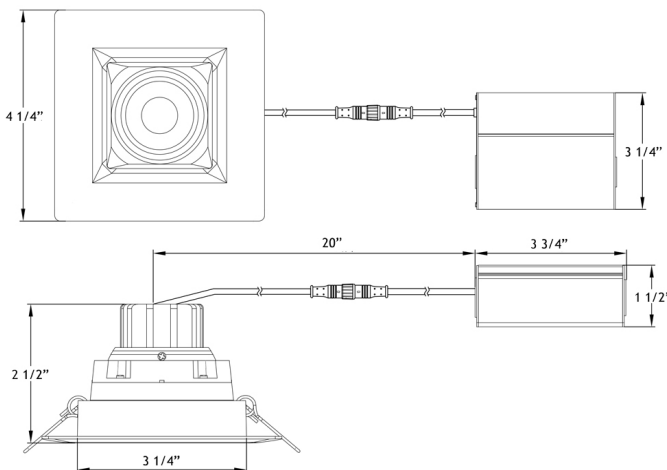
#### FEATURES & BENEFITS

**2 1/2" Thin** - Install Where Ceiling Space Is Limited  
**Type IC Rated** - No Housing Required  
**Fast & Easy To Install** - Save On Labour  
**Driver Inside Connection Box** - No Junction Box Needed  
**Directional Beam** - Great for Sloped Ceilings and Highlighting Artwork  
**CRI 90** - True Colour Rendering

#### MOUNTING

Cut Hole In Ceiling And Snap Fixture In Opening With Attached Spring Clips.  
Ceiling Clearance Required:  
2 1/2" for Romex, 3 1/2" for MC or BX installations

**DIMENSIONS** ID 3 1/4" OD 4 1/4" Square Cut Out 3 1/4" to 3 1/2"



SPECIFICATION	
Applications	Sloped Ceilings, Highlighting Artwork
Energy Used	7.5 W
Colour Temperature	3000 K
Light Output	600 lm
Halogen Equivalent	50 W
Beam Angle	<b>38°</b> Beam with 20° tilt and 360° rotation
CRI	> 90
Driver Input	120V AC or 277V-347V AC 50/60 Hz
Power Factor	0.98
Dimming	TRIAC Dimmers 5% - 100%
Approved Location	Insulated Ceiling, Damp & Wet Locations
IP Rating	IP 54
Air Tight	Yes
Ambient Temperature	-40° F (-40° C) to +104° F (+40° C)
Projected Life	70% Light Output at 50,000 Hours
Certification	cULus, Energy Star, T24
<b>Warranty</b>	<b>10 Year on Residential</b> <b>5 Year on Commercial Applications</b>

Driver Included

Cable Rating FT4 / CM



Available Trims



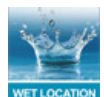
White

Black

#### COMPLIANCE



Canadian Patent No. 2,967,954 and United States Patent Pending



**CHARACTERISTICS**

**Unique Design:** 3/4" Regressed 3" Gimbal with 20° tilt and 360° rotation. Air-Tight Without

Housing Needed. **Canadian Patent No. 2,967,954 and United States Patent Pending.**

**Body:** Durable, Die Cast Aluminum Alloy for Optimal Heat Dissipation.

**Paint:** Oil Based Spray Painted - Scratch Resistant And Smooth Finish.

**LED:** Epistar COB Custom Packaged by Hongli Tronic with LM80.

Guaranteed 98% Lumen Maintenance After 6,000 Hours.

Strict Binning To Ensure Consistent Light Colour. CRI 90 for True Colour Rendering.

**Driver:** 4th Generation Lotus Designed. Field Proven Since 2011.

**Connection Box:** Patented Invention By Lotus LED Lights.

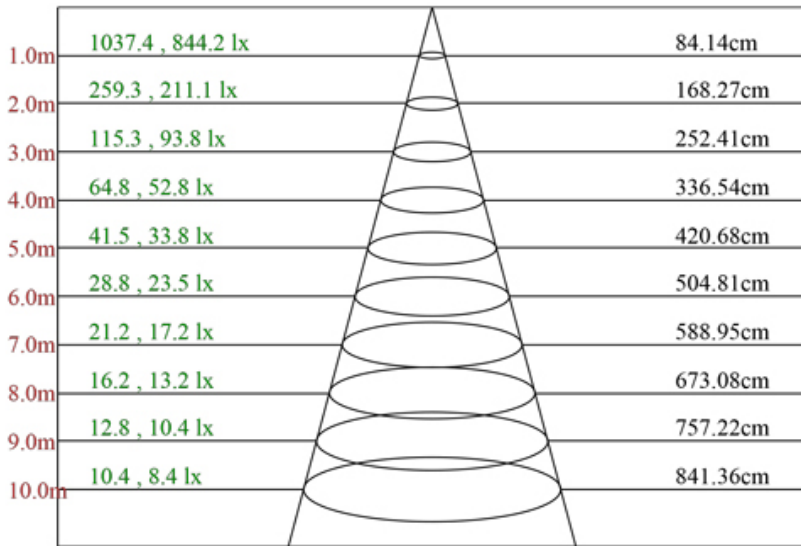
Saves Contractors Labour On Installation.

**Testing:** Every Single Driver Is Powered For Minimum 24 Hours Together With The

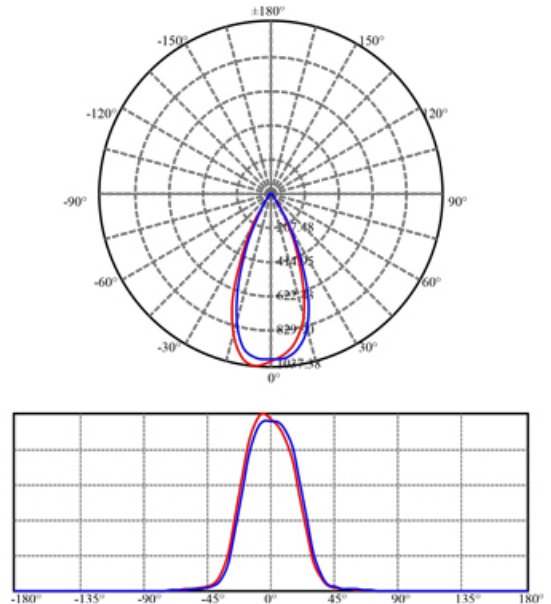
Fixture That It Is Shipped With. No Random Tests.

**PHOTOMETRIC DATA OF A LAB TESTED SAMPLE**

MODEL:	LSG3-30K	LAMP FLUX:	602 LM
VOLTAGE:	120 V	LUMENS / POWER:	81 LM/W
POWER:	7.44 W	CENTRAL INTENSITY:	1008 CD
PF:	0.99	BEAM ANGLE:	45 DEGREES



Max , Ave Beam angle of C180plane45.62



**ORDERING GUIDE**

Example: LSG3 - 30K - WH

LSG3 - 30K -  Trim Finish  
 WH : White  
 BK : Black

Order 277V - 347V Optional Driver Separately As cat # LLL-LD0617H



**ACCESSORIES**

Sold Separately



Low Volage Extension Cables  
 6ft - cat # EXC6, 20ft - cat # EXC20  
 Max 40 ft Extension Allowed  
 FT4 / CM rated



Rough-In Plates - cat # LRP312



**Warehouses**

Vancouver Toronto Las Vegas Naples Philadelphia Dallas Seattle Chicago

tel: 1-844-24-LOTUS (56887)

fax: 1-877-561-6306

www.lotusLEDlights.com