

### Type IC, Wet & Air-Tight



Project: \_\_\_\_\_

Location: \_\_\_\_\_

Trim Finish: \_\_\_\_\_ Qty: \_\_\_\_\_

Notes: \_\_\_\_\_

#### DESCRIPTION

3" Square Regressed Gimbal LED With Integral Driver In Connection Box  
Fits Where No Other Recessed Fixture Can  
**Unique Design: Gimbal Yet Air-Tight Without Housing Needed**

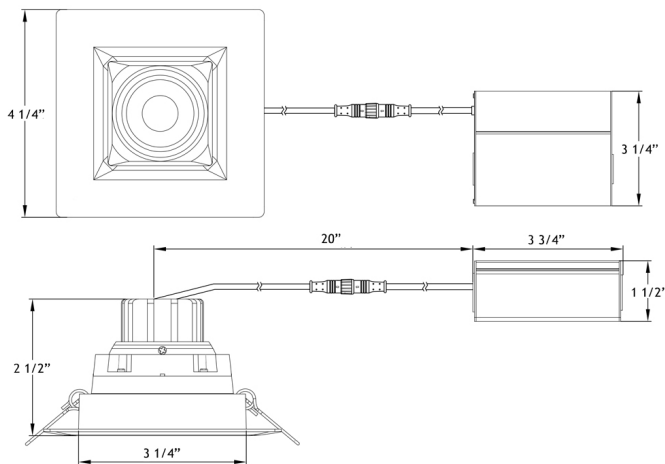
#### FEATURES & BENEFITS

**2 1/2" Thin** - Install Where Ceiling Space Is Limited  
**Type IC Rated** - No Housing Required  
**Fast & Easy To Install** - Save On Labour  
**Driver Inside Connection Box** - No Junction Box Needed  
**Directional Beam** - Great for Sloped Ceilings and Highlighting Artwork  
**CRI 90** - True Colour Rendering

#### MOUNTING

Cut Hole In Ceiling And Snap Fixture In Opening With Attached Spring Clips.  
Ceiling Clearance Required:  
2 1/2" for Romex, 3 1/2" for MC or BX installations

**DIMENSIONS** ID 3 1/4" OD 4 1/4" Square Cut Out 3 1/4" to 3 1/2"



| SPECIFICATION       |   |
|---------------------|---|
| Applications        | Sloped Ceilings, Highlighting Artwork                                     |
| Energy Used         | 7.5 W   |
| Colour Temperature  | 4000 K  |
| Light Output        | 630 lm  |
| Halogen Equivalent  | 50 W  |
| Beam Angle          | <b>38°</b> Beam with 20° tilt and 360° rotation                           |
| CRI                 | > 90  |
| Driver Input        | 120V AC or 277V-347V AC 50/60 Hz  |
| Power Factor        | 0.98  |
| Dimming             | TRIAC Dimmers 5% - 100%   |
| Approved Location   | Insulated Ceiling, Damp & Wet Locations                                   |
| IP Rating           | IP 54   |
| Air Tight           | Yes   |
| Ambient Temperature | -40° F (-40° C) to +104° F (+40° C)                                       |
| Projected Life      | 70% Light Output at 50,000 Hours  |
| Certification       | cULus, Energy Star, T24   |
| <b>Warranty</b>     | <b>10 Year on Residential</b><br><b>5 Year on Commercial Applications</b> |

Driver Included

Cable Rating FT4 / CM



Available Trims



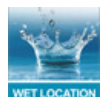
White

Black

#### COMPLIANCE



Canadian Patent No. 2,967,954 and United States Patent Pending



**CHARACTERISTICS**

**Unique Design:** 3/4" Regressed 3" Gimbal with 20° tilt and 360° rotation. Air-Tight Without

Housing Needed. **Canadian Patent No. 2,967,954 and United States Patent Pending.**

**Body:** Durable, Die Cast Aluminum Alloy for Optimal Heat Dissipation.

**Paint:** Oil Based Spray Painted - Scratch Resistant And Smooth Finish.

**LED:** Epistar COB Custom Packaged by Hongli Tronic with LM80.

Guaranteed 98% Lumen Maintenance After 6,000 Hours.

Strict Binning To Ensure Consistent Light Colour. CRI 90 for True Colour Rendering.

**Driver:** 4th Generation Lotus Designed. Field Proven Since 2011.

**Connection Box:** Patented Invention By Lotus LED Lights.

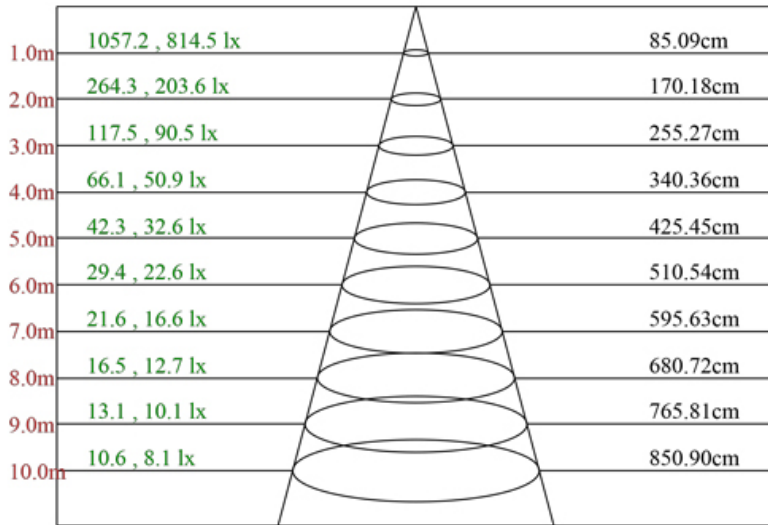
Saves Contractors Labour On Installation.

**Testing:** Every Single Driver Is Powered For Minimum 24 Hours Together With The

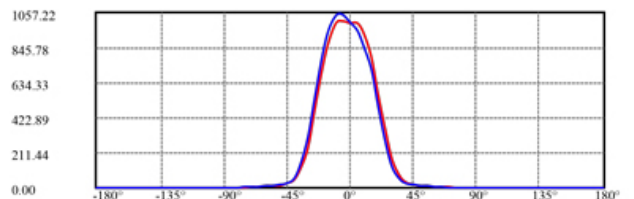
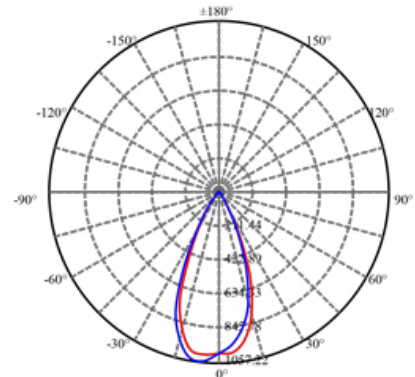
Fixture That It Is Shipped With. No Random Tests.

**PHOTOMETRIC DATA OF A LAB TESTED SAMPLE**

|          |          |                    |            |
|----------|----------|--------------------|------------|
| MODEL:   | LSG3-40K | LAMP FLUX:         | 620 LM     |
| VOLTAGE: | 120 V    | LUMENS / POWER:    | 83 LM/W    |
| POWER:   | 7.44 W   | CENTRAL INTENSITY: | 994 CD     |
| PF:      | 0.99     | BEAM ANGLE:        | 46 DEGREES |



Max , Ave Beam angle of C315plane46.02



**ORDERING GUIDE**

Example: LSG3 - 40K - WH

LSG3 - 40K -  Trim Finish  
 WH : White  
 BK : Black

Order 277V - 347V Optional Driver Separately As cat # LLL-LD0617H



**ACCESSORIES**

Sold Separately



Low Volage Extension Cables  
 6ft - cat # EXC6, 20ft - cat # EXC20  
 Max 40 ft Extension Allowed  
 FT4 / CM rated



Rough-In Plates - cat # LRP312



Warehouses

Vancouver      Toronto      Las Vegas      Naples      Philadelphia      Dallas      Seattle      Chicago

tel: 1-844-24-LOTUS (56887)

fax: 1-877-561-6306

www.lotusLEDlights.com