



LSG3-HO

3" Square Regressed Gimbal LED High Output 11W

Project: _____

Location: _____

Model #: _____ Qty: _____

Notes: _____

DESCRIPTION

3" Square Regressed Gimbal LED
 With Integral Driver In Connection Box
 Gimbal Yet Air-Tight Without Housing Needed
 2nd generation **High Output** of our original patented best seller

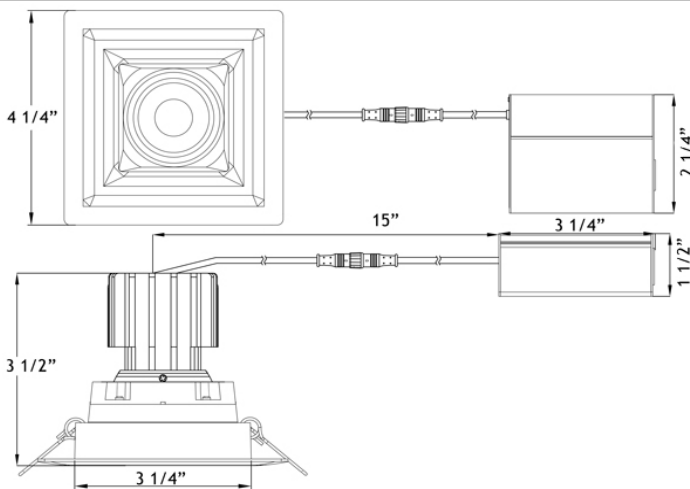
FEATURES & BENEFITS

3 1/2" Deep - Install Where Ceiling Space Is Limited
 Type IC Rated - No Housing Required
 Air-Tight & Wet Location rated
5CCT user selectable 2700-3000-3500-4000-5000K
 or **Dim to Warm** 3000K to 1800K options
 CRI 90+ for True Color Rendering
 Driver Inside Connection Box - No Junction Box Needed

MOUNTING

Cut Hole In Ceiling And Snap Fixture In Opening
 With Attached Spring Clips
 Ceiling Clearance Required: 3 1/2"

DIMENSIONS: ID 3 1/4" OD 4 1/4" Cut Out 3 1/4" to 3 1/2"



120V TRIAC Dimmable
 Driver Included

Optional 120V-347V
 Driver 0-10V Dimmable

Order Separately as
[model # LLL-LD1025T3](#)



ORDERING GUIDE

- LSG3-5CCT-HO-WH
- LSG3-5CCT-HO-BK
- LSG3-5CCT-HO-ORB
- LSG3-3018K-HO-WH
- LSG3-3018K-HO-BK
- LSG3-3018K-HO-ORB

- [5CCT White Trim](#)
- [5CCT Black Trim](#)
- [5CCT Oil Rubbed Bronze](#)
- [Dim to Warm White Trim](#)
- [Dim to Warm Black Trim](#)
- [Dim to Warm Oil Rubbed Bronze](#)



SPECIFICATION	
Applications	Sloped Ceilings up to 20°, General Lighting
Power	11 W
Color Temperature	5CCT: 2700 3000 3500 4000 5000 DTW 30-18K
Light Output	880 940 1000 1030 1040 750
Halogen Equivalent	90 W
Beam Angle	38° Beam with 20° tilt and 360° rotation
CRI	90 +
Default Driver Input	120V AC Triac Dimmable
Optional Driver Input	120V-347V AC 0-10V Dimmable
Junction Box Wire Capacity	Max 5 No 12 AWG or 8 No 14 AWG
Power Factor	0.95
Approved Location	Insulated Ceiling & Wet Locations
IP Rating	IP 54
Air Tight	Yes
Ambient Temperature	-40°F (-40°C) to +104°F (+40°C)
Projected Life	70% Light Output at 50,000 Hours
Certification	cULus
Warranty	10 Year Residential / 5 Year Commercial

AVAILABLE TRIMS



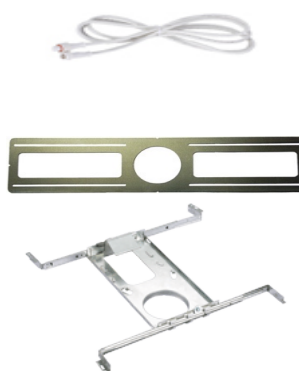
White

Black

Oil Rubbed Bronze

ACCESSORIES

Sold Separately



Low Voltage Extension Cables. Max 40 ft Allowed
[6ft - model # EXC6](#)
[20ft - model # EXC20](#)

[Flat Rough-In Plates - model # RIP312](#)

[Flanged Plate with Hanger Bars model # FRP312](#)

COMPLIANCE



Type IC
 Air-Tight

Wet Location

Lotus LED Lights USA
 250 H Street # 301, Blaine WA 98230 tel 360-200-5500
 Hainesport NJ, Naples FL, Vancouver WA

www.LotusLEDLights.com
 mailing addresses
 warehouses

Lotus LED Lights CANADA
 702 Chester Rd, Delta BC V3M 6J1 tel 604-538-3090
 Delta BC & Mississauga ON