

### Type IC & Air-Tight



Project: \_\_\_\_\_

Location: \_\_\_\_\_

Trim Finish: \_\_\_\_\_ Qty: \_\_\_\_\_

Notes: \_\_\_\_\_

#### DESCRIPTION

Recessed 4" Round LED With Integral Driver In Connection Box.  
Fits Where No Other Recessed Fixture Can.

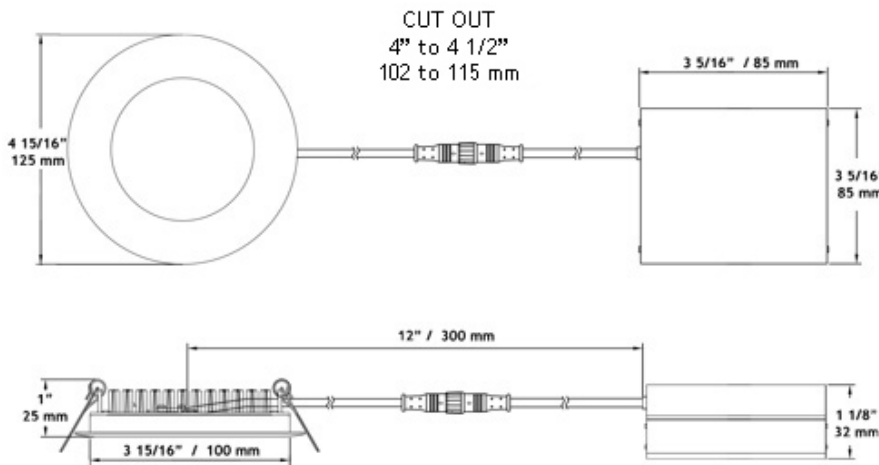
#### FEATURES & BENEFITS

- 1" Thin - High Performance 30% Brighter Than The 1/2" Model
- Type IC Rated - No Housing Required
- Fast & Easy To Install - Save On Labour
- Driver Inside Connection Box - No Junction Box Needed

#### MOUNTING

Cut Hole In Ceiling And Snap Fixture In Opening With Attached Spring Clips.  
2" Above Ceiling Clearance Required For Driver.

SPECIFICATION	
Applications	Recessed Ceiling Mount
Energy Used	12 W
Colour Temperature	3000 K
Light Output	700 lm
Halogen Equivalent	65 W
Beam Angle	110°
CRI	84
Driver Input	120V AC or 277V-347V AC 50/60 Hz
Power Factor	0.98
Dimming	TRIAC Dimmers 10% - 100%
Approved Location	Insulated Ceiling & Damp Locations
Air Tight	Yes
Ambient Temperature	-40° F (-40° C) to +104° F (+40° C)
Projected Life	70% Light Output at 50,000 Hours
Certification	cULus, Energy Star
Warranty	10 Year on Residential 5 Year on Commercial Applications



Driver Included. Trims: White      Brushed Nickel      Black

#### COMPLIANCE



**CHARACTERISTICS**

- Body:** Durable, Die Cast Aluminum Alloy for Optimal Heat Dissipation.
- Paint:** Oil Based Spray Painted - Scratch Resistant And Smooth Finish.
- LEDs:** 110 Pieces Of Custom Packaged LM80 Epistar 3014.
- Guaranteed 98% Lumen Maintenance After 6,000 Hours.
- Strict Binning To Ensure Consistent Light Colour.
- Driver:** 4th Generation Lotus Designed. Field Proven Since 2011.
- Connection Box:** Patented Invention By Lotus LED Lights.
- Saves Contractors Labour On Installation.
- Testing:** Every Single Driver Is Powered For Minimum 24 Hours Together With The Fixture That It Is Shipped With.
- Every LED Is Visually Checked Before And After The PCB Is Mounted On The Fixture.
- No Random Tests - We Hand Test Every Fixture & Driver.

**LED lighting facts**  
A Program of the U.S. DOE

Light Output (Lumens)	750
Watts	12.5
Lumens per Watt (Efficacy)	60
<b>Color Accuracy</b>	
Color Rendering Index (CRI)	80
<b>Light Color</b>	
Correlated Color Temperature (CCT)	3000 (Bright White)

Color spectrum diagram showing Warm White (2700K), Bright White (3000K), Daylight (4500K), and Daylight (6500K).

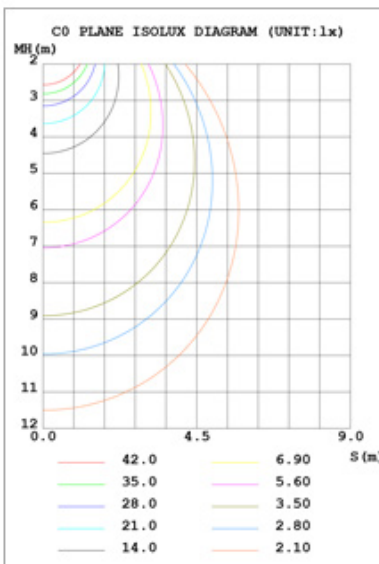
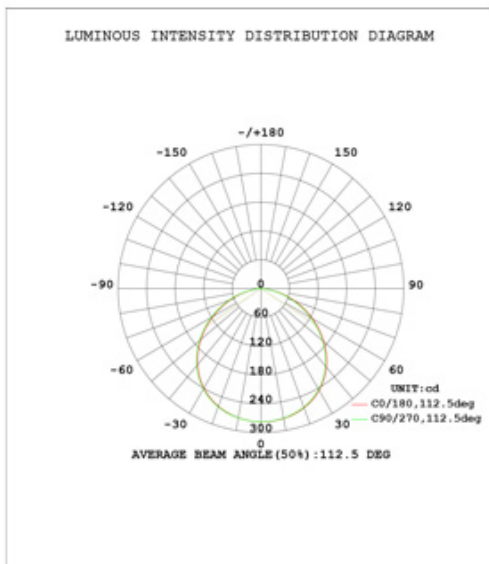
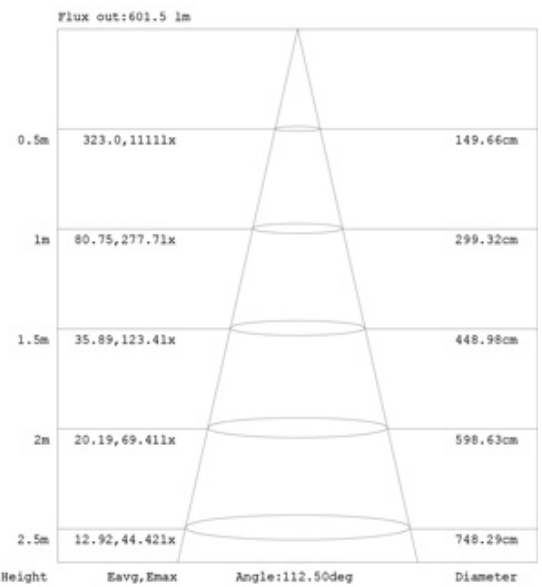
All results are according to IESNA LM-79-2008. Approved Method for the Electrical and Photometric Testing of Solid-State Lighting. The U.S. Department of Energy (DOE) verifies product test data and results.

Visit [www.lightingfacts.com](http://www.lightingfacts.com) for the Label Reference Guide.

Registration Number: K53C-0E8U05 (3/30/2016)  
Model Number: LY41RCD 30K  
Type: Luminaire - Downlight

**PHOTOMETRIC DATA**

Test:U:120.1V I:0.1055A P:12.49W PF:0.9853 Lamp Flux:793.2x1 lm		Eff: 63.52 lm/W			
MODEL	LY41RCD 30K	I <sub>max</sub> (cd)	277.7	S/MH (C0/180)	1.28
NOMINAL POWER(W)	0	LOR(%)	100.0	S/MH (C90/270)	1.29
RATED VOLTAGE(V)	120	TOTAL FLUX(lm)	793.20	η UP, DN (C0-180)	0.0,50.2
NOMINAL FLUX (lm)	793.2	CIE CLASS	DIRECT	η UP, DN (C180-360)	0.0,49.8
LAMPS INSIDE	1	η up (%)	0.0	CIBSE SHR NOM	1.25
TEST VOLTAGE (V)	120	η down (%)	100.0	CIBSE SHR MAX	1.35



**ORDERING GUIDE**

Example: LY41RCD / 30K / WH

LY41RCD / 30K /  Trim Finish  
 WH : White  
 BK : Black  
 BN : Brushed Nickel

Order 277V - 347V Optional Driver Separately As cat # LLL-LD1535H



**ACCESSORIES**

Sold Separately



Low Voltage Extension Cables  
 6ft - cat # EXC6, 20ft - cat # EXC20  
 Max 40 ft Extension Allowed



Rough-In Plates - cat # RIP4



Goof Ring White OD 5 3/4" - cat # GR4



Warehouses: Vancouver Toronto Las Vegas Naples Philadelphia Dallas Seattle

tel: 1-844-24-LOTUS (56887)

fax: 1-877-561-6306

[www.lotusLEDlights.com](http://www.lotusLEDlights.com)