

Type IC, Air-Tight & Wet Location



Project: _____

Location: _____

Qty: _____

Notes: _____

DESCRIPTION

Recessed 6" Round LED With Integral Driver In Connection Box.
Fits Where No Other Recessed Fixture Can.

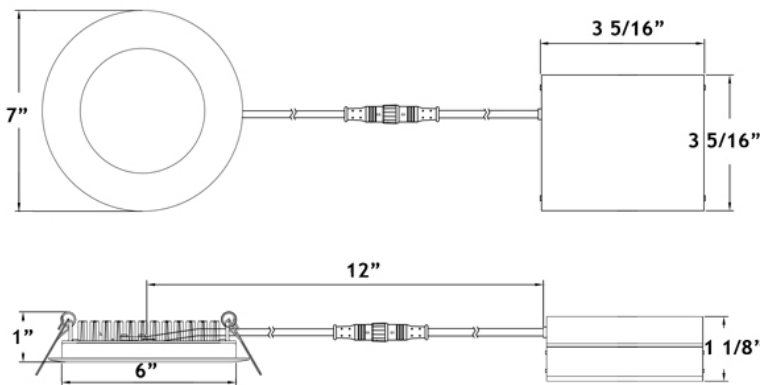
FEATURES & BENEFITS

- 1" Thin - High Performance 30% Brighter Than The 1/2" Model
- Type IC Rated - No Housing Required
- Fast & Easy To Install - Save On Labour
- Driver Inside Connection Box - No Junction Box Needed

MOUNTING

Cut Hole In Ceiling And Snap Fixture In Opening With Attached Spring Clips.
1 1/2" Above Ceiling Clearance Required For Driver.

DIMENSIONS ID 6" OD 7" Cut Out 6" to 6 1/2"



SPECIFICATION	
Applications	Recessed Ceiling Mount - Showers
Energy Used	15 W
Colour Temperature	4100° K
Light Output	950 lm
Halogen Equivalent	75 W
Beam Angle	110°
CRI	84
Driver Input	120V AC or 277V-347V AC 50/60 Hz
Power Factor	0.98
Dimming	TRIAC Dimmers 10% - 100%
Approved Location	Insulated Ceiling & Wet Locations
Air Tight	Yes
Ambient Temperature	-40° F (-40° C) to +104° F (+40° C)
Projected Life	70% Light Output at 50,000 Hours
Certification	cULus, Energy Star
Warranty	10 Year on Residential
	5 Year on Commercial Applications

Driver Included

Cable Rating FT4 / CM



Trim Options



White

COMPLIANCE



CHARACTERISTICS

Body: Durable, Die Cast Aluminum Alloy for Optimal Heat Dissipation.

Paint: Oil Based Spray Painted - Scratch Resistant And Smooth Finish.

LEDs: 132 Pieces Of Custom Packaged LM80 Epistar 3014.

Guaranteed 98% Lumen Maintenance After 6,000 Hours.

Strict Binning To Ensure Consistent Light Colour.

Driver: 4th Generation Lotus Designed. Field Proven Since 2011.

Connection Box: Patented Invention By Lotus LED Lights.

Saves Contractors Labour On Installation.

Testing: Every Single Driver Is Powered For Minimum 24 Hours Together With The

Fixture That It Is Shipped With. No Random Tests.

Lighting facts
A Program of the U.S. DOE

Light Output (Lumens)	1200
Watts	15.3
Lumens per Watt (Efficacy)	78.43

Color Accuracy
Color Rendering Index (CRI) **80**

Light Color
Correlated Color Temperature (CCT) **4000 (Bright White)**

2700K 3000K 4500K 6500K

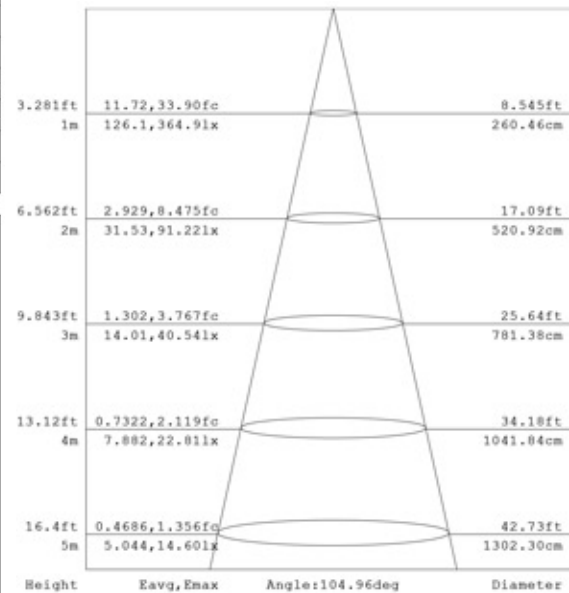
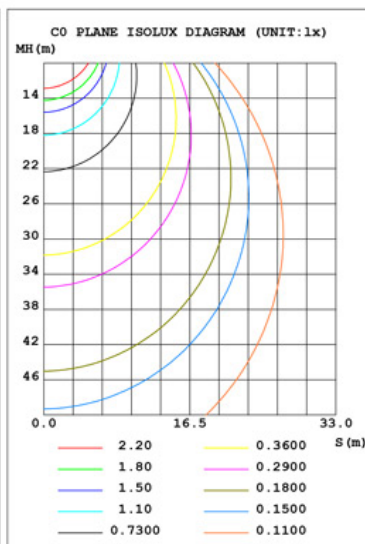
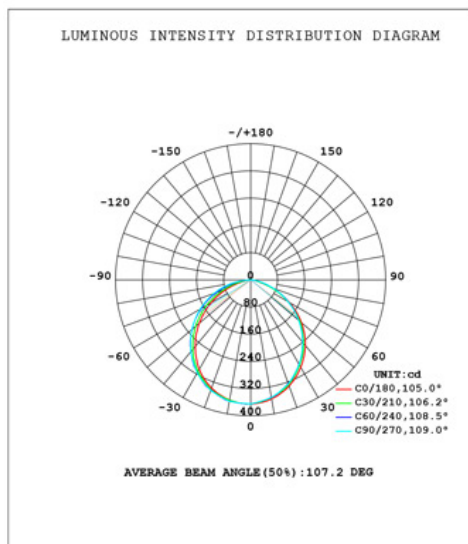
All results are according to IESNA LM-79-2008: Approved Method for the Electrical and Photometric Testing of Solid-State Lighting. The U.S. Department of Energy (DOE) verifies product test data and results.

Visit www.lightingfacts.com for the Label Reference Guide.

Registration Number: K53C-44W7VW (3/23/2016)
Model Number: LY61RCD 41K
Type: Luminaire - Downlight

PHOTOMETRIC DATA

DATA OF LAMP		PHOTOMETRIC DATA Eff: 73.48 lm/W			
MODEL	LY61RCD 41K	I _{max} (cd)	365.1	S/MH (C0/180)	1.22
NOMINAL POWER (W)	15	LOR (%)	100.0	S/MH (C90/270)	1.18
RATED VOLTAGE (V)	120	TOTAL FLUX (lm)	950.78	η UP, DN (C0-180)	0.0, 46.6
NOMINAL FLUX (lm)	950.781	CIE CLASS	DIRECT	η UP, DN (C180-360)	0.0, 53.4
LAMPS INSIDE	1	η up (%)	0.0	CIBSE SHR NOM	1.25
TEST VOLTAGE (V)	120.5	η down (%)	100.0	CIBSE SHR MAX	1.35



ORDERING GUIDE

Model: LY61RCD / 41K / WH / WET

Only White Trim Available.

Order 277V - 347V Optional Driver Separately As cat # LLL-LD1535H



ACCESSORIES



Low Voltage Extension Cables
6ft - cat # EXC6, 20ft - cat # EXC20
Max 40 ft Allowed. FT4 / CM rated



Flat Rough-In Plates - cat # RIP6



Flanged Rough-In Plate - cat # LRP6



Goof Ring OD 7 5/8". White only



Vancouver Toronto Las Vegas Naples Philadelphia Dallas Seattle Chicago Denver

tel: 1-844-24-LOTUS (56887)

fax: 1-877-561-6306

www.lotusLEDlights.com