

Type IC & Air-Tight



Project: _____

Location: _____

Trim Finish: _____ Qty: _____

Notes: _____

DESCRIPTION

Recessed 6" Round LED With Integral Driver In Connection Box.
Fits Where No Other Recessed Fixture Can.

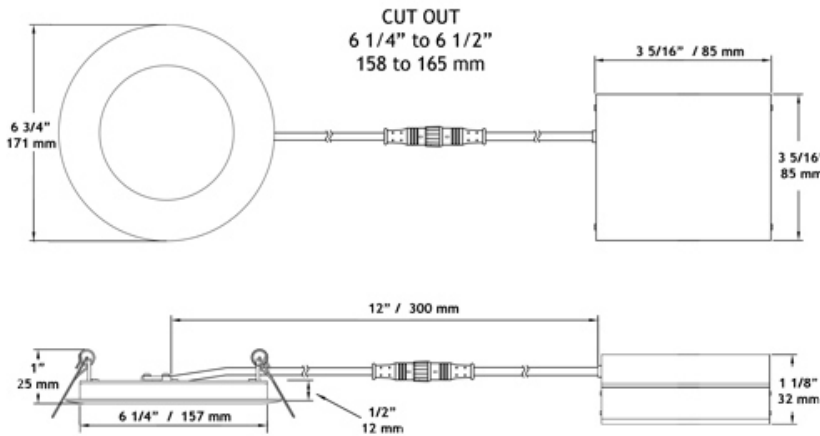
FEATURES & BENEFITS

- 1/2" Thin - Install Directly Under Joists, Maximum Layout Flexibility
- Type IC Rated - No Housing Required
- Fast & Easy To Install - Save On Labour
- Driver Inside Connection Box - No Junction Box Needed

MOUNTING

Cut Hole In Ceiling And Snap Fixture In Opening With Attached Spring Clips.
1 1/2" Above Ceiling Clearance Required For Driver.

SPECIFICATION	
Applications	Recessed Ceiling Mount
Energy Used	12 W
Colour Temperature	4100 K
Light Output	800 lm
Halogen Equivalent	65 W
Beam Angle	110°
CRI	82
Driver Input	120V AC or 277V-347V AC 50/60 Hz
Power Factor	0.98
Dimming	TRIAC Dimmers 10% - 100%
Approved Location	Insulated Ceiling & Damp Locations
Air Tight	Yes
Ambient Temperature	-40° F (-40° C) to +104° F (+40° C)
Projected Life	70% Light Output at 50,000 Hours
Certification	cULus, Energy Star
Warranty	10 Year on Residential 5 Year on Commercial Applications



Driver Included. Trims: White Brushed Nickel Black

COMPLIANCE



Warehouses

Vancouver

Toronto

Las Vegas

Naples

Philadelphia

Dallas

Seattle

CHARACTERISTICS

Body: Durable, Die Cast Aluminum Alloy for Optimal Heat Dissipation.
Paint: Oil Based Spray Painted - Scratch Resistant And Smooth Finish.
LEDs: 77 Pieces Of Custom Packaged LM80 Epistar 3014.
 Guaranteed 98% Lumen Maintenance After 6,000 Hours.
 Strict Binning To Ensure Consistent Light Colour.
Driver: 4th Generation Lotus Designed. Field Proven Since 2011.
Connection Box: Patented Invention By Lotus LED Lights.
 Saves Contractors Labour On Installation.
Testing: Every Single Driver Is Powered For Minimum 24 Hours
 Together With The Fixture That It Is Shipped With.
 Every LED Is Visually Checked Before And After The PCB Is Mounted On The Fixture.
 No Random Tests - We Hand Test Every Fixture & Driver.

Lighting Facts
A Program of the U.S. DOE

Light Output (Lumens)	850
Watts	12.5
Lumens per Watt (Efficacy)	68
Color Accuracy Color Rendering Index (CRI)	80
Light Color Correlated Color Temperature (CCT)	4000 (Bright White)

Color temperature scale: 2700K (Warm White), 3000K (Bright White), 4500K (Daylight), 6500K

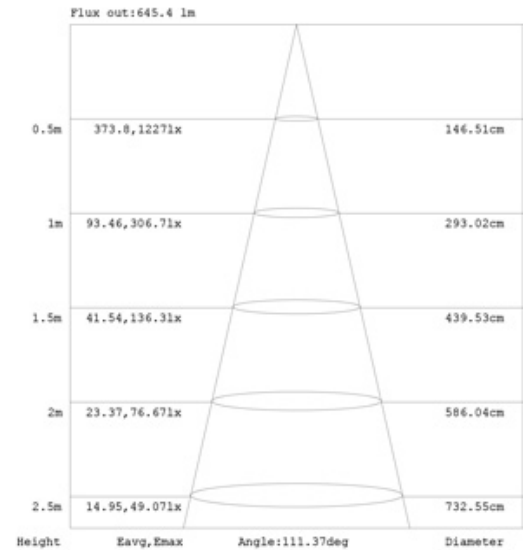
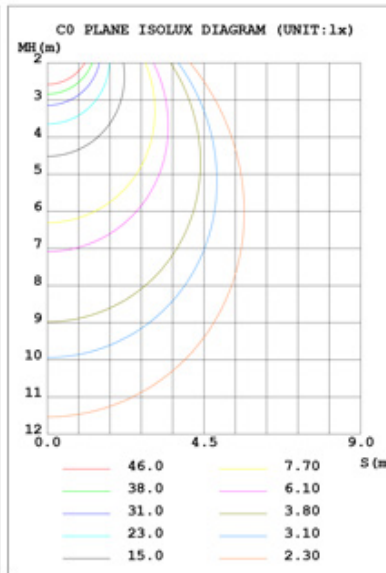
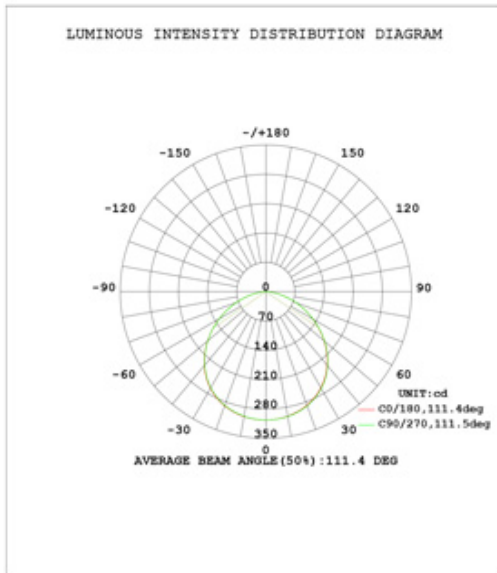
All results are according to IESNA LM-79-2008: Approved Method for the Electrical and Photometric Testing of Solid-State Lighting. The U.S. Department of Energy (DOE) verifies product test data and results.

Visit www.lightingfacts.com for the Label Reference Guide.

Registration Number: K53C-1A2E0C (3/23/2016)
 Model Number: LY6RCS 41K
 Type: Luminaire - Downlight

PHOTOMETRIC DATA

Test:U:120.0V I:0.1049A P:12.41W PF:0.9857 Lamp Flux:865.458x1 lm		Eff: 69.74 lm/W			
MODEL	LY6RCS 41K	I _{max} (cd)	306.7	S/MH (C0/180)	1.29
NOMINAL POWER (W)	0	LOR (%)	100.0	S/MH (C90/270)	1.28
RATED VOLTAGE (V)	120	TOTAL FLUX (lm)	865.46	η UP, DN (C0-180)	0.0, 50.2
NOMINAL FLUX (lm)	865.458	CIE CLASS	DIRECT	η UP, DN (C180-360)	0.0, 49.8
LAMPS INSIDE	1	η up (%)	0.0	CIBSE SHR NOM	1.25
TEST VOLTAGE (V)	120	η down (%)	100.0	CIBSE SHR MAX	1.35



ORDERING GUIDE

Example: LY6RCS / 41K / WH

LY6RCS / 41K /

Trim Finish

WH : White
 BK : Black
 BN : Brushed Nickel

Order 277V - 347V Optional Driver Separately As cat # LLL-LD1535H



ACCESSORIES

Sold Separately



Low Voltage Extension Cables
 6ft - cat # EXC6, 20ft - cat # EXC20
 Max 40 ft Extension Allowed



Rough-In Plates - cat # RIP6



Goof Ring White OD 7 5/8" - cat # GR6



Vancouver Toronto Las Vegas Naples Philadelphia Dallas Seattle

tel: 1-844-24-LOTUS (56887)

fax: 1-877-561-6306

www.lotusLEDlights.com