

## 6" Square Slim Recessed LED Soft White 14W

Type IC, Wet & Air-Tight



Project: \_\_\_\_\_

Location: \_\_\_\_\_

Trim Finish: \_\_\_\_\_

Qty: \_\_\_\_\_

Notes: \_\_\_\_\_

### DESCRIPTION

Recessed 6" Square LED With Integral Driver In Connection Box.

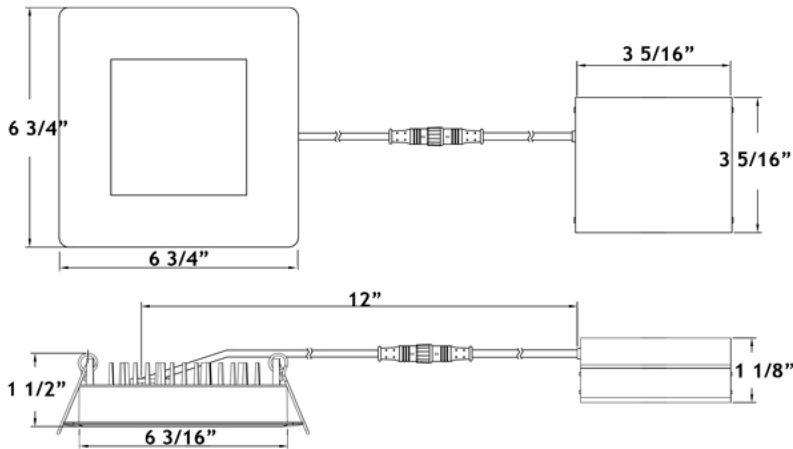
### FEATURES & BENEFITS

- 1 1/2" Thin - Fits Where No Other Recessed Fixture Can.
- Type IC Rated - No Housing Required
- Fast & Easy To Install - Save On Labour
- Driver Inside Connection Box - No Junction Box Needed

### MOUNTING

- Cut Hole In Ceiling And Snap Fixture In Opening With Attached Spring Clips.
- 1 1/2" Above Ceiling Clearance Required For Driver.

**DIMENSIONS** ID 6 3/16" OD 6 3/4" Cut Out 6 1/4" to 6 1/2"



SPECIFICATION	
Applications	Recessed Ceiling Mount
Energy Used	14 W
Colour Temperature	3000 K
Light Output	900 lm
Halogen Equivalent	75 W
Beam Angle	90°
CRI	80 +
Driver Input	120V AC or 277V-347V AC 50/60 Hz
Power Factor	0.98
Dimming	TRIAC Dimmers 10% - 100% (120V only)
Approved Location	Insulated Ceiling & Wet Locations
Air Tight	Yes
Ambient Temperature	-40° F (-40° C) to +104° F (+40° C)
Projected Life	70% Light Output at 50,000 Hours
Certification	cULus, Energy Star
Warranty	10 Year on Residential 5 Year on Commercial Applications

Driver Included

Cable Rating FT4 / CM



Trim Options



White



Black

### COMPLIANCE



## CHARACTERISTICS

**Body:** Durable, Die Cast Aluminum Alloy for Optimal Heat Dissipation.

**Paint:** Oil Based Spray Painted - Scratch Resistant And Smooth Finish.

**LEDs:** 72 Pieces Of Custom Packaged LM80 Epistar 2835.

Guaranteed 98% Lumen Maintenance After 6,000 Hours.

Strict Binning To Ensure Consistent Light Colour.

**Driver:** 4th Generation Lotus Designed. Field Proven Since 2011.

**Connection Box:** Patented Invention By Lotus LED Lights.

Saves Contractors Labour On Installation.

**Testing:** Every Single Driver Is Powered For Minimum 24 Hours Together With The Fixture That It Is Shipped With. No Random Tests.

LOTUS LED Lights

**LED lighting facts**  
A Program of the U.S. DOE

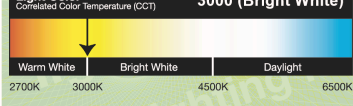
<b>Light Output (Lumens)</b>	<b>1000</b>
<b>Watts</b>	<b>14.2</b>
<b>Lumens per Watt (Efficacy)</b>	<b>70.42</b>

---

**Color Accuracy**  
Color Rendering Index (CRI) **80**

---

**Light Color**  
Correlated Color Temperature (CCT) **3000 (Bright White)**



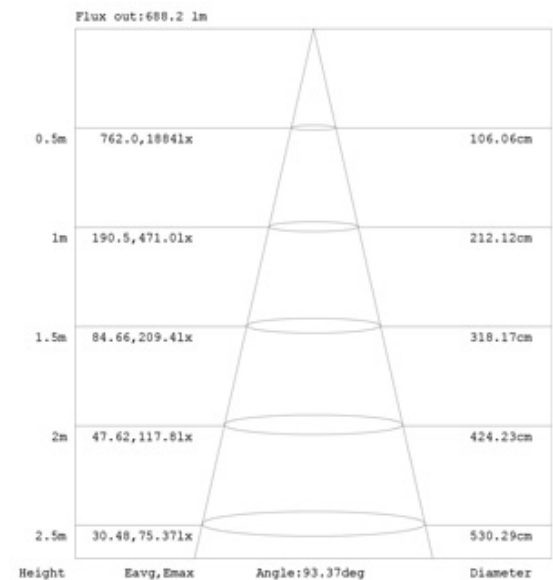
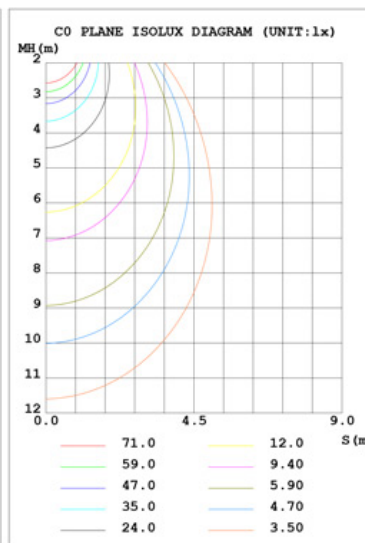
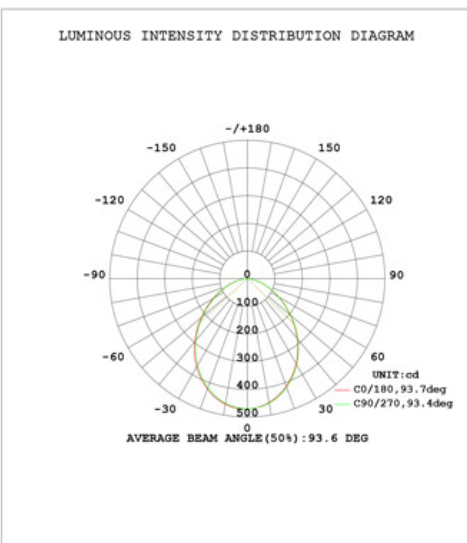
All results are according to IESNA LM-79-2008: Approved Method for the Electrical and Photometric Testing of Solid-State Lighting. The U.S. Department of Energy (DOE) verifies product test data and results.

Visit [www.lightingfacts.com](http://www.lightingfacts.com) for the Label Reference Guide.

Registration Number: K53C-E7HOSR (3/23/2016)  
Model Number: LY6S 30K  
Type: Luminaire - Downlight

## PHOTOMETRIC DATA

Test: U:120.0V I:0.1194A P:14.17W PF:0.9892 Lamp Flux:1062.19x1 lm		<b>Eff: 74.94 lm/W</b>			
<b>MODEL</b>	<b>LY6S 30K</b>	<b>I<sub>max</sub> (cd)</b>	<b>471.2</b>	<b>S/MH (C0/180)</b>	<b>1.17</b>
<b>NOMINAL POWER (W)</b>	<b>0</b>	<b>LOR (%)</b>	<b>100.0</b>	<b>S/MH (C90/270)</b>	<b>1.16</b>
<b>RATED VOLTAGE (V)</b>	<b>120</b>	<b>TOTAL FLUX (lm)</b>	<b>1062.2</b>	$\eta$ UP, DN (C0-180)	<b>0.0.49.3</b>
<b>NOMINAL FLUX (lm)</b>	<b>1062.19</b>	<b>CIE CLASS</b>	<b>DIRECT</b>	$\eta$ UP, DN (C180-360)	<b>0.0.50.6</b>
<b>LAMPS INSIDE</b>	<b>1</b>	$\eta$ up (%)	<b>0.1</b>	<b>CIBSE SHR NOM</b>	<b>1.25</b>
<b>TEST VOLTAGE (V)</b>	<b>120</b>	$\eta$ down (%)	<b>99.9</b>	<b>CIBSE SHR MAX</b>	<b>1.30</b>



## ORDERING GUIDE

Example: LY6S / 30K / WH

LY6S / 30K /

Trim Finish

**WH** : White

**BK** : Black

Order 277V - 347V Optional Driver Separately As cat # LLL-LD1535H



## ACCESSORIES



Low Voltage Extension Cables  
6ft - cat # EXC6, 20ft - cat # EXC20  
Max 40 ft Allowed. FT4 / CM rated



Flat Rough-In Plates - cat # RIP6



Flanged Rough-In Plate - cat # LRP6



## Warehouses

Vancouver    Toronto    Las Vegas    Naples    Philadelphia    Dallas    Seattle    Chicago    Denver

tel: 1-844-24-LOTUS (56887)

fax: 1-877-561-6306

[www.lotusLEDlights.com](http://www.lotusLEDlights.com)