

6" Square Slim Recessed LED Neutral White 14W

Type IC & Air-Tight



Project: _____

Location: _____

Trim Finish: _____ Qty: _____

Notes: _____

DESCRIPTION

Recessed 6" Square LED With Integral Driver In Connection Box.

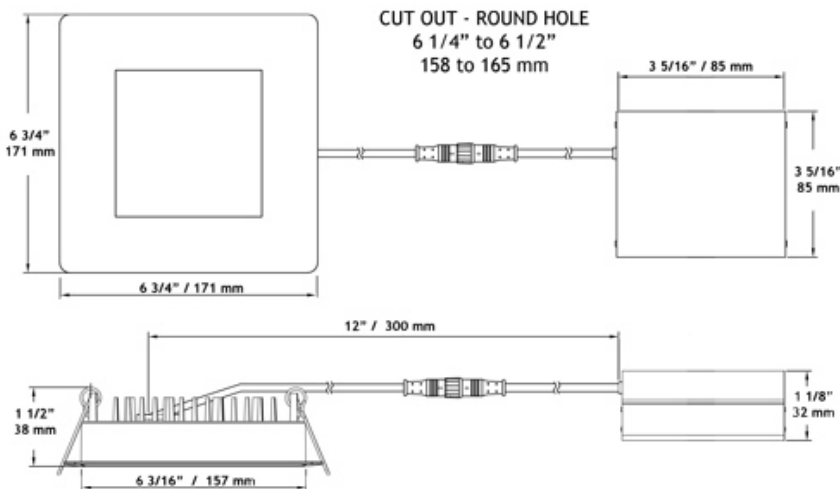
FEATURES & BENEFITS

- 1 1/2" Thin - Fits Where No Other Recessed Fixture Can.
- Type IC Rated - No Housing Required
- Fast & Easy To Install - Save On Labour
- Driver Inside Connection Box - No Junction Box Needed

MOUNTING

- Cut Hole In Ceiling And Snap Fixture In Opening With Attached Spring Clips.
- 1 1/2" Above Ceiling Clearance Required For Driver.

SPECIFICATION	
Applications	Recessed Ceiling Mount
Energy Used	14 W
Colour Temperature	4100 K
Light Output	950 lm
Halogen Equivalent	75 W
Beam Angle	90°
CRI	82
Driver Input	120V AC or 277V-347V AC 50/60 Hz
Power Factor	0.98
Dimming	TRIAC Dimmers 10% - 100% (120V only)
Approved Location	Insulated Ceiling & Damp Locations
Air Tight	Yes
Ambient Temperature	-40°F (-40°C) to +104°F (+40°C)
Projected Life	70% Light Output at 50,000 Hours
Certification	cULus, Energy Star
Warranty	10 Year on Residential 5 Year on Commercial Applications



Driver Included.



COMPLIANCE



Available Trims:

White

Black



Warehouses

Vancouver

Toronto

Las Vegas

Naples

Philadelphia

Dallas

Seattle

CHARACTERISTICS

Body: Durable, Die Cast Aluminum Alloy for Optimal Heat Dissipation.

Paint: Oil Based Spray Painted - Scratch Resistant And Smooth Finish.

LEDs: 72 Pieces Of Custom Packaged LM80 Epistar 2835.

Guaranteed 98% Lumen Maintenance After 6,000 Hours.

Strict Binning To Ensure Consistent Light Colour.

Driver: 4th Generation Lotus Designed. Field Proven Since 2011.

Connection Box: Patented Invention By Lotus LED Lights.

Saves Contractors Labour On Installation.

Testing: Every Single Driver Is Powered For Minimum 24 Hours

Together With The Fixture That It Is Shipped With.

Every LED Is Visually Checked Before And After The PCB Is Mounted On The Fixture.

No Random Tests - We Hand Test Every Fixture & Driver.


LOTUS LED Lights

LED lighting facts
A Program of the U.S. DOE

Light Output (Lumens)	1100
Watts	14.2
Lumens per Watt (Efficacy)	77.46

Color Accuracy
Color Rendering Index (CRI) 80

Light Color
Correlated Color Temperature (CCT) 4000 (Bright White)



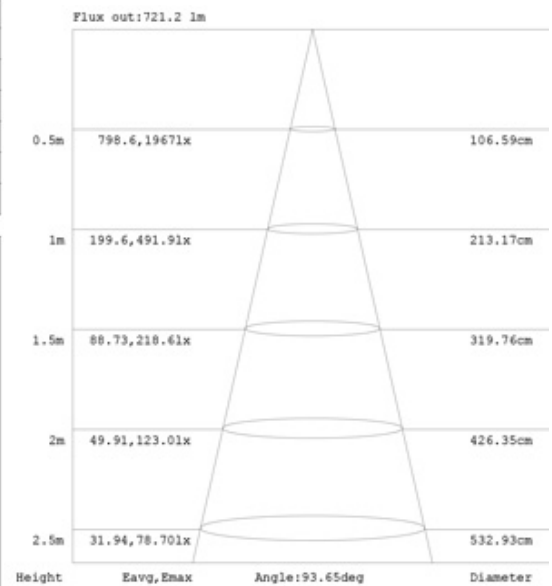
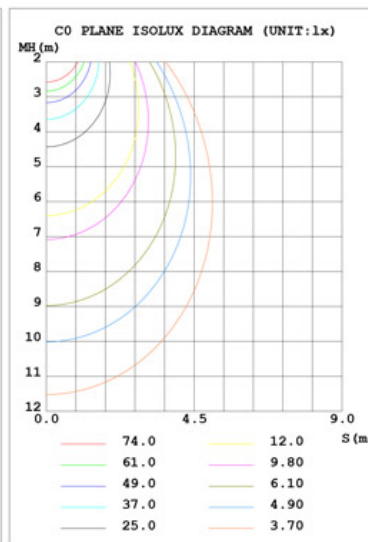
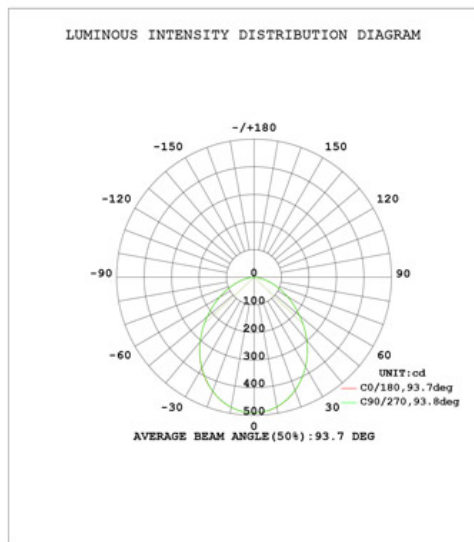
All results are according to IESNA LM-79-2008: Approved Method for the Electrical and Photometric Testing of Solid-State Lighting. The U.S. Department of Energy (DOE) verifies product test data and results.

Visit www.lightingfacts.com for the Label Reference Guide.

Registration Number: K53C-820LAQ (3/23/2016)
Model Number: LY6S 41K
Type: Luminaire - Downlight

PHOTOMETRIC DATA

Test: U:119.9V I:0.1165A P:13.85W PF:0.9916 Lamp Flux:1114.95x1 lm		Eff: 80.48 lm/W			
MODEL	LY6S 41K	Imax (cd)	491.9	S/MH (C0/180)	1.16
NOMINAL POWER (W)	0	LOR (%)	100.0	S/MH (C90/270)	1.16
RATED VOLTAGE (V)	120	TOTAL FLUX (lm)	1114.9	η UP, DN (C0-180)	0.0, 49.5
NOMINAL FLUX (lm)	1114.95	CIE CLASS	DIRECT	η UP, DN (C180-360)	0.0, 50.4
LAMPS INSIDE	1	η up (%)	0.1	CIBSE SHR NOM	1.25
TEST VOLTAGE (V)	120	η down (%)	99.9	CIBSE SHR MAX	1.30



ORDERING GUIDE

Example: LY6S / 41K / WH

LY6S / 41K /
 WH : White
 BK : Black

Order 277V - 347V Optional Driver Separately As cat # LLL-LD1535H



ACCESSORIES

Sold Separately



Low Volage Extension Cables
 6ft - cat # EXC6, 20ft - cat # EXC20
 Max 40 ft Extension Allowed



Rough-In Plates - cat # RIP6



Warehouses

Vancouver Toronto Las Vegas Naples Philadelphia Dallas Seattle

tel: 1-844-24-LOTUS (56887)

fax: 1-877-561-6306

www.lotusLEDlights.com