

### Type IC, Wet & Air-Tight



Project: \_\_\_\_\_

Location: \_\_\_\_\_

Trim Finish: \_\_\_\_\_ Qty: \_\_\_\_\_

Notes: \_\_\_\_\_

#### DESCRIPTION

8" Recessed Round LED With Integral Driver In Connection Box.  
Fits Where No Other Recessed Fixture Can.

#### FEATURES & BENEFITS

1 3/4" Thin

Type IC Rated - No Housing Required

Fast & Easy To Install - Save On Labour

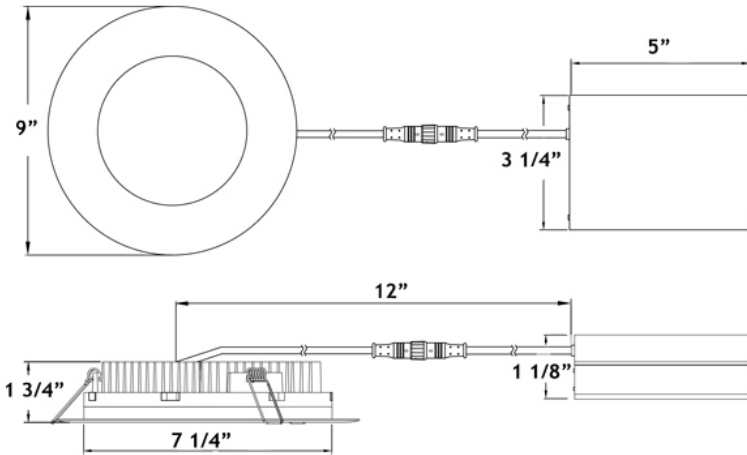
Driver Inside Connection Box - No Junction Box Needed

#### MOUNTING

Cut Hole In Ceiling And Snap Fixture In Opening With Attached Spring Clips.

1 3/4" Above Ceiling Clearance Required For Driver.

**DIMENSIONS** ID 7 1/4" OD 9" Cut Out 7 1/2" to 8"



SPECIFICATION	
Applications	Recessed Ceiling Mount
Energy Used	33 W
Colour Temperature	3000 K
Light Output	2200 lm
Halogen Equivalent	200 W
Beam Angle	100°
CRI	80 +
Driver Input	120V AC or 277V-347V AC 50/60 Hz
Power Factor	0.98
Dimming	TRIAC Dimmers 10% - 100% (120V only)
Approved Location	Insulated Ceiling & Wet Locations
IP Rating	IP 54
Air Tight	Yes
Ambient Temperature	-40° F (-40° C) to +104° F (+40° C)
Projected Life	70% Light Output at 50,000 Hours
Certification	cULus, Energy Star, T24
<b>Warranty</b>	<b>10 Year on Residential</b> <b>5 Year on Commercial Applications</b>

Driver Included

Cable Rating FT4 / CM



Available Trims



White



Black

#### COMPLIANCE



## CHARACTERISTICS

**Body:** Durable, Die Cast Aluminum Alloy for Optimal Heat Dissipation.

**Paint:** Oil Based Spray Painted - Scratch Resistant And Smooth Finish.

**LEDs:** 240 Pieces Of Custom Packaged LM80 Epistar 2835.

Guaranteed 98% Lumen Maintenance After 6,000 Hours.

Strict Binning To Ensure Consistent Light Colour.

**Driver:** 4th Generation Lotus Designed. Field Proven Since 2011.

**Connection Box:** Patented Invention By Lotus LED Lights.

Saves Contractors Labour On Installation.

**Testing:** Every Single Driver Is Powered For Minimum 24 Hours Together With The Fixture That It Is Shipped With. No Random Tests.

LOTUS LED Lights

**LED lighting facts**  
A Program of the U.S. DOE

<b>Light Output (Lumens)</b>	<b>2500</b>
<b>Watts</b>	<b>33</b>
<b>Lumens per Watt (Efficacy)</b>	<b>75.76</b>

---

<b>Color Accuracy</b>	<b>80</b>
Color Rendering Index (CRI)	

---

<b>Light Color</b>	<b>3000 (Bright White)</b>
Correlated Color Temperature (CCT)	

2700K   3000K   4500K   6500K

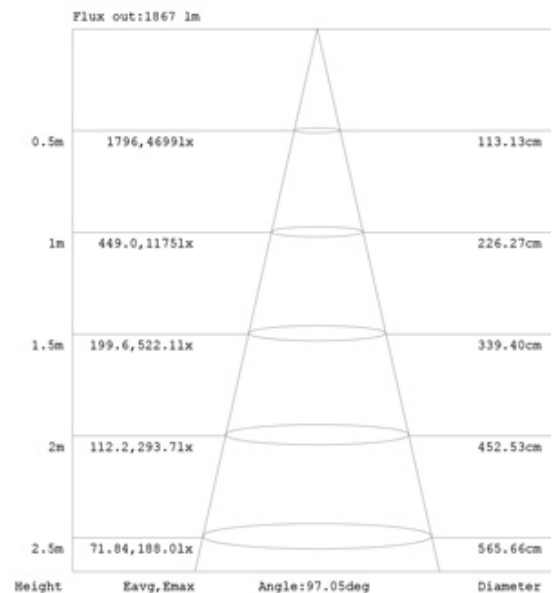
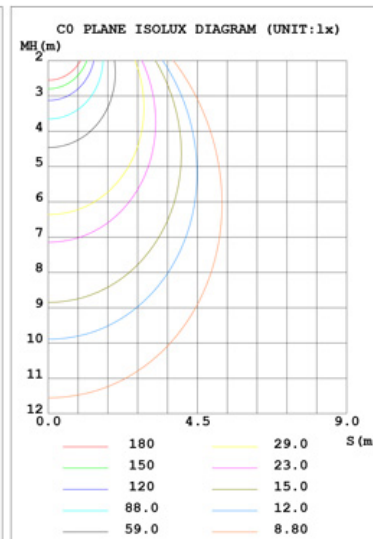
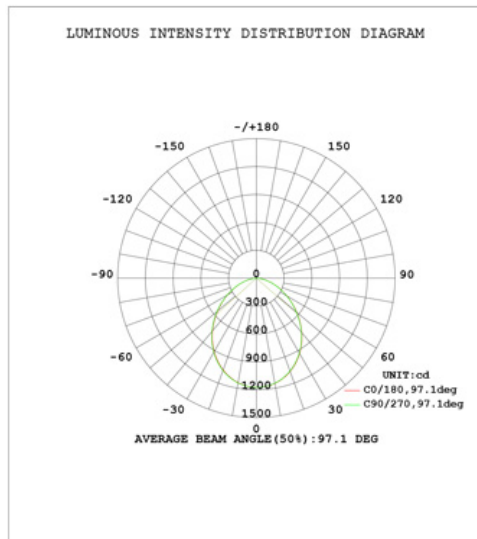
All results are according to IESNA LM-79-2008: Approved Method for the Electrical and Photometric Testing of Solid-State Lighting. The U.S. Department of Energy (DOE) verifies product test data and results.

Visit [www.lightingfacts.com](http://www.lightingfacts.com) for the Label Reference Guide.

Registration Number: K53C-NYLC81 (3/23/2016)  
Model Number: LY82RCD 30K  
Type: Luminaire - Downlight

## PHOTOMETRIC DATA

Test: U:120.1V I:0.2592A P:30.97W PF:0.9949 Lamp Flux:2797.48x1 lm		<b>Eff: 90.34 lm/W</b>	
<b>MODEL</b>	<b>LY82RCD 30K</b>	<b>I<sub>max</sub> (cd)</b>	<b>1175</b>
<b>NOMINAL POWER (W)</b>	<b>0</b>	<b>LOR (%)</b>	<b>100.0</b>
<b>RATED VOLTAGE (V)</b>	<b>120</b>	<b>TOTAL FLUX (lm)</b>	<b>2797.5</b>
<b>NOMINAL FLUX (lm)</b>	<b>2797.48</b>	<b>CIE CLASS</b>	<b>DIRECT</b>
<b>LAMPS INSIDE</b>	<b>1</b>	<b>η up (%)</b>	<b>0.0</b>
<b>TEST VOLTAGE (V)</b>	<b>120</b>	<b>η down (%)</b>	<b>100.0</b>



## ORDERING GUIDE

Example: LY82RCD / 30K / WH

LY82RCD / 30K /  Trim Finish  
 WH : White  
 BK : Black

Order 277V - 347V Optional Driver Separately As cat # LLL-LD3580H



## ACCESSORIES

Sold Separately



Low Voltage Extension Cables  
 6ft - cat # EXC6, 20ft - cat # EXC20  
 Max 40 ft Extension Allowed



Rough-In Plates - cat # RIP8



Goof Ring White OD 9 1/2" - cat # GR8



Warehouses

Vancouver   Toronto   Las Vegas   Naples   Philadelphia   Dallas   Seattle   Chicago   Denver

tel: 1-844-24-LOTUS (56887)

fax: 1-877-561-6306

[www.lotusLEDlights.com](http://www.lotusLEDlights.com)