

Type IC, Wet & Air-Tight



Project: _____

Location: _____

Trim Finish: _____ Qty: _____

Notes: _____

DESCRIPTION

8" Recessed Round LED With Integral Driver In Connection Box.
Fits Where No Other Recessed Fixture Can.

FEATURES & BENEFITS

1 3/4" Thin

Type IC Rated - No Housing Required

Fast & Easy To Install - Save On Labour

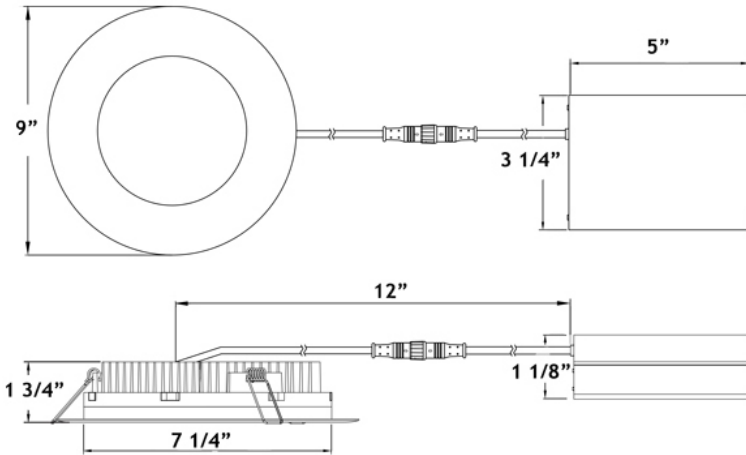
Driver Inside Connection Box - No Junction Box Needed

MOUNTING

Cut Hole In Ceiling And Snap Fixture In Opening With Attached Spring Clips.

1 3/4" Above Ceiling Clearance Required For Driver.

DIMENSIONS ID 7 1/4" OD 9" Cut Out 7 1/2" to 8"



SPECIFICATION	
Applications	Recessed Ceiling Mount
Energy Used	33 W
Colour Temperature	4100 K
Light Output	2400 lm
Halogen Equivalent	200 W
Beam Angle	100°
CRI	80 +
Driver Input	120V AC or 277V-347V AC 50/60 Hz
Power Factor	0.98
Dimming	TRIAC Dimmers 10% - 100% (120V only)
Approved Location	Insulated Ceiling & Wet Locations
IP Rating	IP 54
Air Tight	Yes
Ambient Temperature	-40° F (-40° C) to +104° F (+40° C)
Projected Life	70% Light Output at 50,000 Hours
Certification	cULus, Energy Star, T24
Warranty	10 Year on Residential 5 Year on Commercial Applications

Driver Included

Cable Rating FT4 / CM



Available Trims



White



Black



COMPLIANCE



CHARACTERISTICS

Body: Durable, Die Cast Aluminum Alloy for Optimal Heat Dissipation.
Paint: Oil Based Spray Painted - Scratch Resistant And Smooth Finish.
LEDs: 240 Pieces Of Custom Packaged LM80 Epistar 2835.
 Guaranteed 98% Lumen Maintenance After 6,000 Hours.
 Strict Binning To Ensure Consistent Light Colour.
Driver: 4th Generation Lotus Designed. Field Proven Since 2011.
Connection Box: Patented Invention By Lotus LED Lights.
 Saves Contractors Labour On Installation.
Testing: Every Single Driver Is Powered For Minimum 24 Hours Together With The Fixture That It Is Shipped With. No Random Tests.

LED lighting facts
A Program of the U.S. DOE

Light Output (Lumens)	3000
Watts	33
Lumens per Watt (Efficacy)	90.91

Color Accuracy
Color Rendering Index (CRI) **80**

Light Color
Correlated Color Temperature (CCT) **4000 (Bright White)**

2700K 3000K 4500K 6500K

All results are according to IESNA LM-79-2008: Approved Method for the Electrical and Photometric Testing of Solid-State Lighting. The U.S. Department of Energy (DOE) verifies product test data and results.

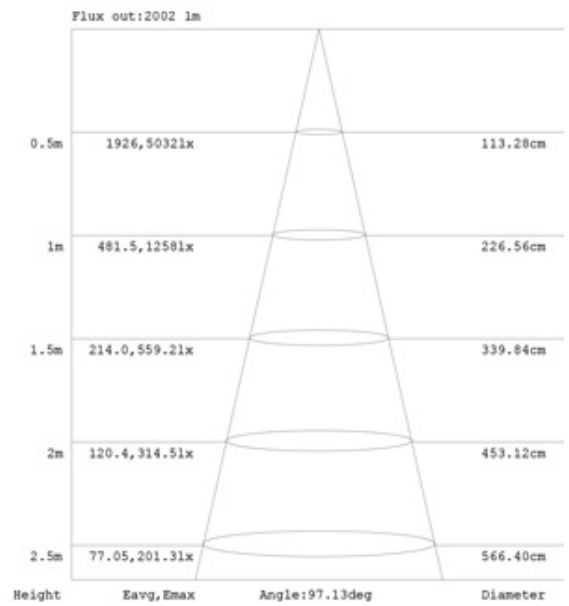
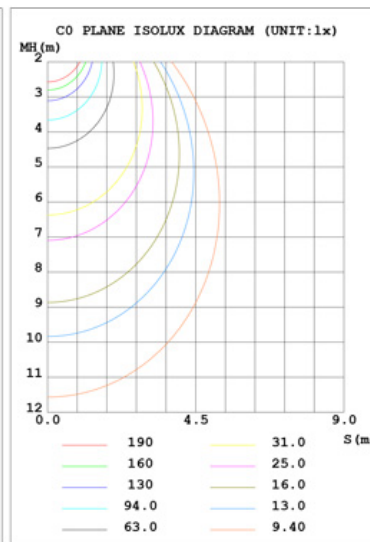
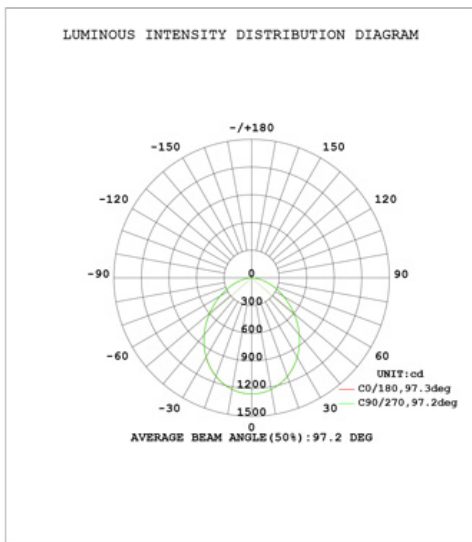
Visit www.lightingfacts.com for the Label Reference Guide.

Registration Number: K53C-QLK2H7 (3/23/2016)
Model Number: LY82RCD 41K
Type: Luminaire - Downlight

PHOTOMETRIC DATA

Test:U:120.0V I:0.2649A P:31.64W PF:0.9952 Lamp Flux:3000.33x1 lm Eff: 94.81 lm/W

MODEL	LY82RCD 41K	Imax (cd)	1258	S/MH (C0/180)	1.18
NOMINAL POWER (W)	0	LOR (%)	100.0	S/MH (C90/270)	1.18
RATED VOLTAGE (V)	120	TOTAL FLUX (lm)	3000.3	η UP, DN (C0-180)	0.0, 50.1
NOMINAL FLUX (lm)	3000.33	CIE CLASS	DIRECT	η UP, DN (C180-360)	0.0, 49.9
LAMPS INSIDE	1	η up (%)	0.0	CIBSE SHR NOM	1.25
TEST VOLTAGE (V)	120	η down (%)	100.0	CIBSE SHR MAX	1.35



ORDERING GUIDE

Example: LY82RCD / 41K / WH

LY82RCD / 41K / Trim Finish
 WH : White
 BK : Black

Order 277V - 347V Optional Driver Separately As cat # LLL-LD3580H



ACCESSORIES

Sold Separately



Low Voltage Extension Cables
 6ft - cat # EXC6, 20ft - cat # EXC20
 Max 40 ft Extension Allowed



Rough-In Plates - cat # RIP8



Goof Ring White OD 9 1/2" - cat # GR8



Warehouses
 Vancouver Toronto Las Vegas Naples Philadelphia Dallas Seattle Chicago Denver

tel: 1-844-24-LOTUS (56887)

fax: 1-877-561-6306

www.lotusLEDlights.com