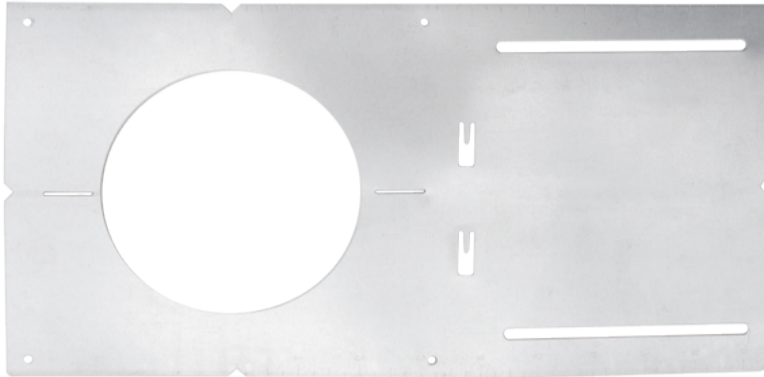




MP338

Rough-In Plate with 3 3/8" Hole



Project: _____

Location: _____

Quantity: _____

To be used with fixture model: _____

Notes: _____

DESCRIPTION

Rough-in plate for new construction pre-mounting of 3" recessed fixtures.

Hole diameter 3 3/8"

FEATURES

Made from galvanized steel.

Plate has alignment notches, slots and holes.

MOUNTING

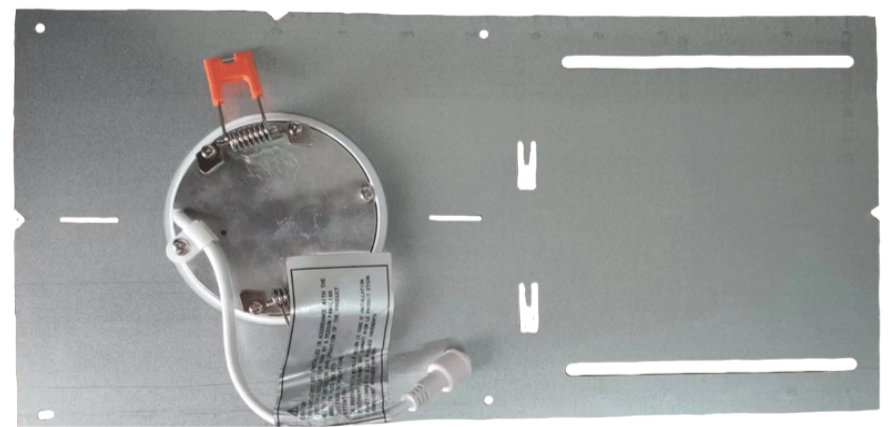
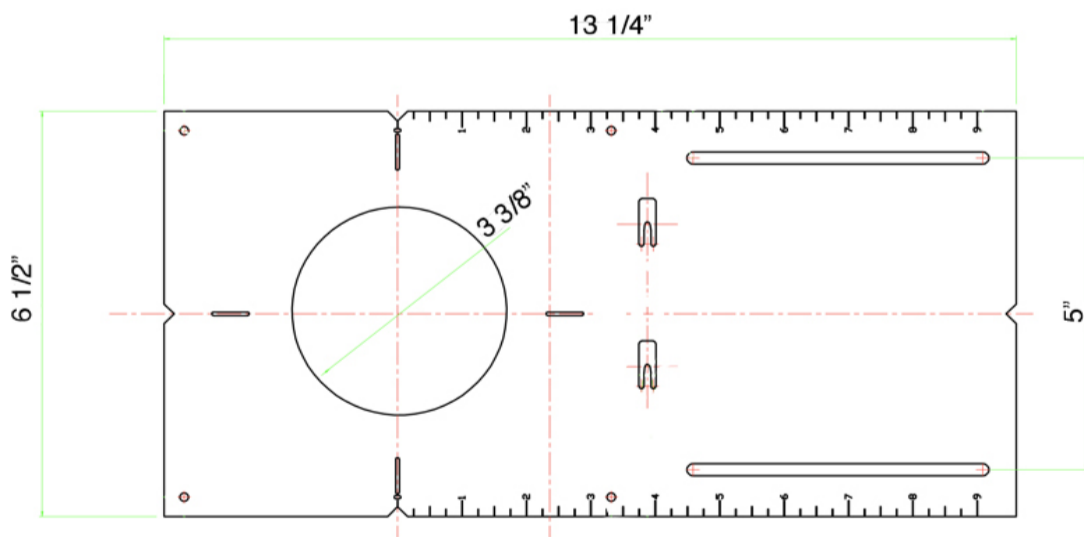
Fix the plate with screws (not supplied) through the mounting slots.

COMPATIBLE FIXTURES

[LED-3-S6W-5CCT-WH-BA](#)

ORDERING GUIDE

model # **MP338**



Backside view of MP338 with LED-3-S6W-5CCT-WH-BA mounted