



RIP2

26" Rough-In Plate for 2" Recessed LED

Project: _____

Location: _____

Qty: _____

Notes: _____



DESCRIPTION

Rough-in plate for new construction pre-mounting of 2" recessed fixtures.

Hole diameter 2 1/8"

FEATURES

Made from galvanized steel, 26" long to fit joists up to 24" apart.

Plate has alignment notches

MOUNTING

Fix the plate with screws (not supplied) through the mounting slots

COMPATIBLE FIXTURES

[LED-1-S6W](#)

[LED-1-S7W-5CCT](#)

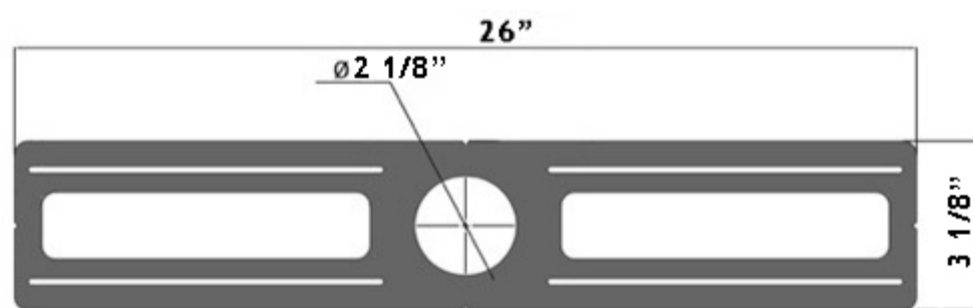
[LL2G](#)

[LL2G-HO](#)

[LL2G24V](#)

ORDERING GUIDE

model # **RIP2**



Lotus LED Lights USA

250 H Street # 301, Blaine WA 98230 tel 360-200-5500

Hainesport NJ, Naples FL, Dallas TX, Vancouver WA

www.LotusLEDLights.com

mailing addresses

warehouses

Lotus LED Lights CANADA

702 Chester Rd, Delta BC V3M 6J1 tel 604-538-3090

Delta BC & Mississauga ON