



RIP3

26" Rough-In Plate for 3" Recessed LED



Project: _____

Location: _____

Qty: _____

Notes: _____

DESCRIPTION

Rough-in plate for new construction pre-mounting of 3" recessed fixtures

FEATURES

Made from galvanized steel, 26" long to fit joists up to 24" apart.
Hole diameter 3". Plate has alignment notches

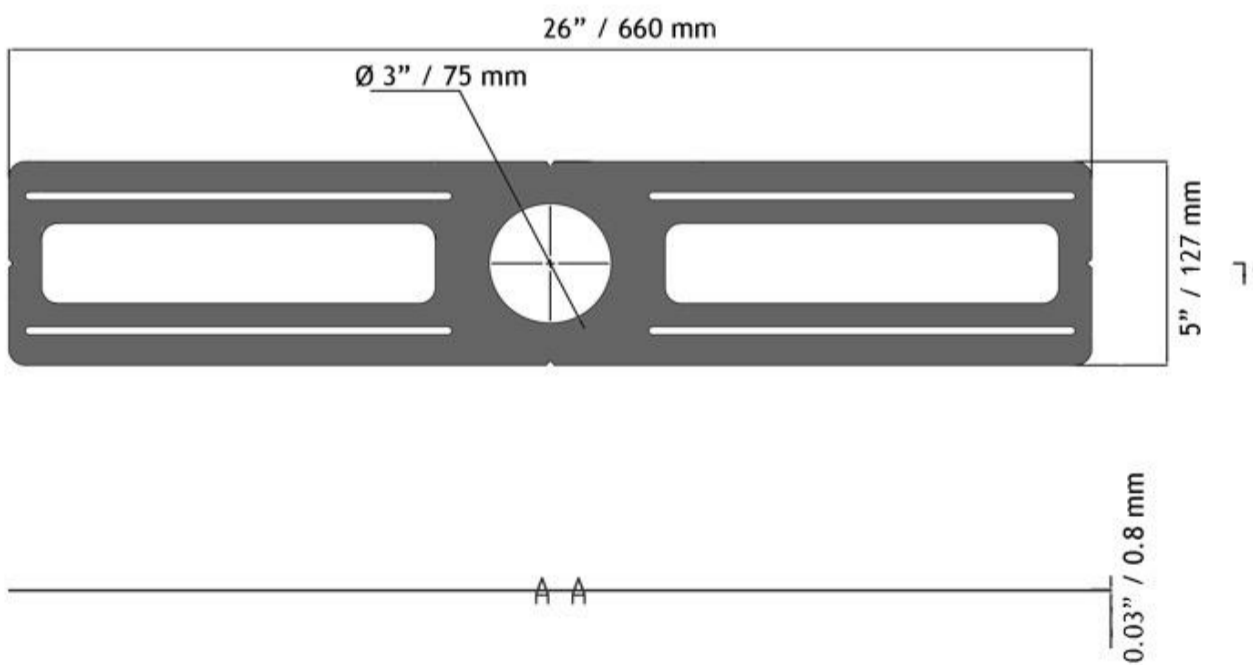
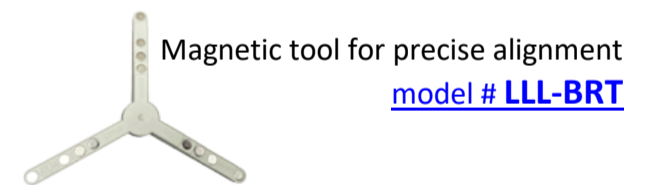
MOUNTING

Fix the plate with screws (not supplied) through the mounting slots
Optional: Purchase our Magnetic tool for precise laser alignment

COMPATIBLE FIXTURES

- [LL3G](#)
- [LL3G-HO](#)
- [LL3R](#)

ACCESSORIES



ORDERING GUIDE

model # **RIP3**