



RIP4

26" Flat Rough-In Plate for 4" models



Project: _____

Location: _____

Qty: _____

Notes: _____

DESCRIPTION

Rough-in plate for new construction pre-mounting of 4" recessed fixtures

FEATURES

Made from galvanized steel, 26" long to fit joists up to 24" apart.

Hole diameter 4 1/8"

Plate has alignment notches

MOUNTING

Fix the plate with screws (not supplied) through the mounting slots

COMPATIBLE FIXTURES

[LB4R](#)

[LB4R24V](#)

[LL4G](#)

[LL4G-HO](#)

[LL4RR](#)

[LL4SR](#)

[LD4R](#)

[LD4R-HO](#)

[LD4R-CPL](#)

[LD4R-HO-CPL](#)

[LD4S](#)

[LD4S-HO](#)

[AD-LED-4-S12W-LREY](#)

[AD-LED-4-S12W-LREY-SQ](#)

[LED-4-S9W-FG](#)

[LY4RCS](#)

[LY41RCD](#)

[LY4S](#)

[LL4S](#)

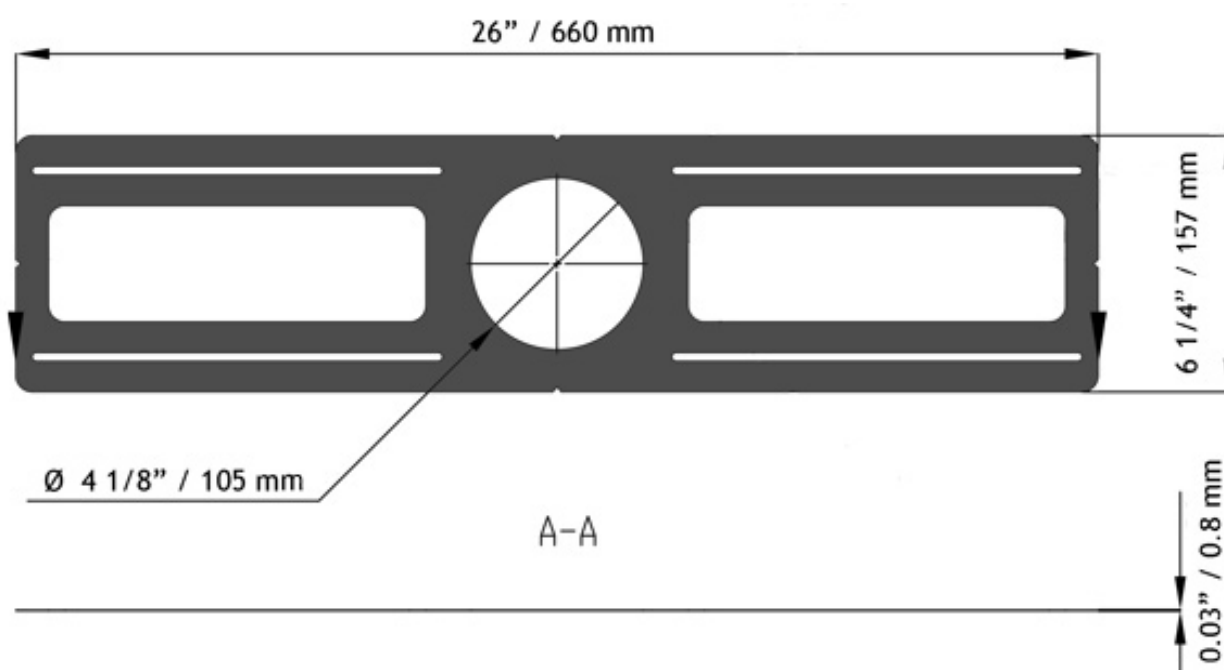
[LB4S/24V](#)

[JXL-COB04-R15W-CCT](#)

[JXL-COB04-S15W-CCT](#)

ORDERING GUIDE

model # **RIP4**



Lotus LED Lights USA

250 H Street # 301, Blaine WA 98230 tel 360-200-5500
Hainesport NJ, Naples FL, Dallas TX, Vancouver WA

www.LotusLEDLights.com

mailing addresses
warehouses

Lotus LED Lights CANADA

702 Chester Rd, Delta BC V3M 6J1 tel 604-538-3090
Delta BC & Mississauga ON