



RIP412

26" Flat Rough-In Plate with 4 3/8" Hole



Project: _____

Location: _____

Qty: _____

Notes: _____

DESCRIPTION

Rough-in plate for new construction pre-mounting of 4" recessed fixtures

FEATURES

Made from galvanized steel, 26" long to fit joists up to 24" apart.

Hole diameter 4 3/8"

Plate has alignment notches

MOUNTING

Fix the plate with screws (not supplied) through the mounting slots

COMPATIBLE FIXTURES

[LL4R](#)

[LL4R24V](#)

[LL4RR](#)

[LL4SR](#)

[LED-S9W](#)

[LED-S9W-5CCTWH-R-BF](#)

[LED-S9W-5CCTWH-SQ](#)

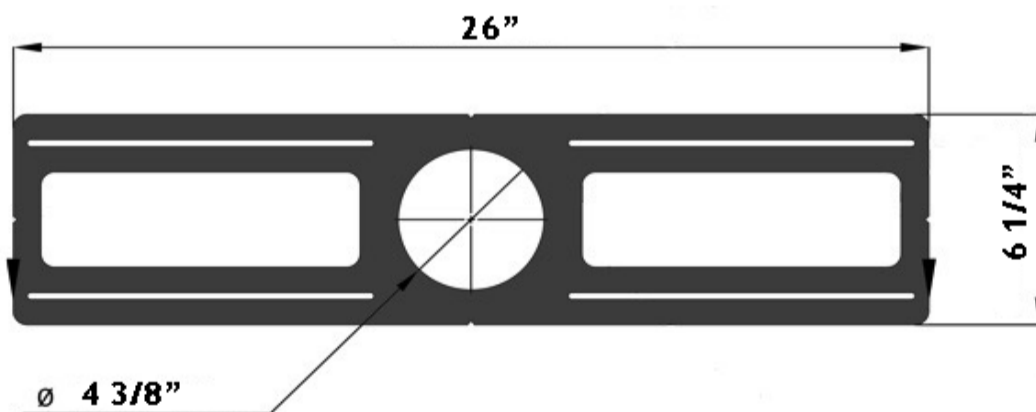
[FR-LED-4-S9W-5CCT-FG](#)

[FR-LED-4-S12W-5CCT-PL](#)

[LD3R-4RSL-WH](#)

[LRG3-4RSL-WH](#)

[LRG3-HO-4RSL](#)



ORDERING GUIDE

model # **RIP412**

Lotus LED Lights USA

250 H Street # 301, Blaine WA 98230 tel 360-200-5500
Hainesport NJ, Naples FL, Vancouver WA

www.LotusLEDLights.com

mailing addresses
warehouses

Lotus LED Lights CANADA

1080 Cliveden Ave # 6, Delta BC V3M 6G6 tel 604-538-3090
Delta BC & Mississauga ON