



RIP5

26" Flat Rough-In Plate for 5" Models



Project: _____

Location: _____

Qty: _____

Notes: _____

DESCRIPTION

Rough-in plate for new construction pre-mounting of 5" lighting fixtures

FEATURES

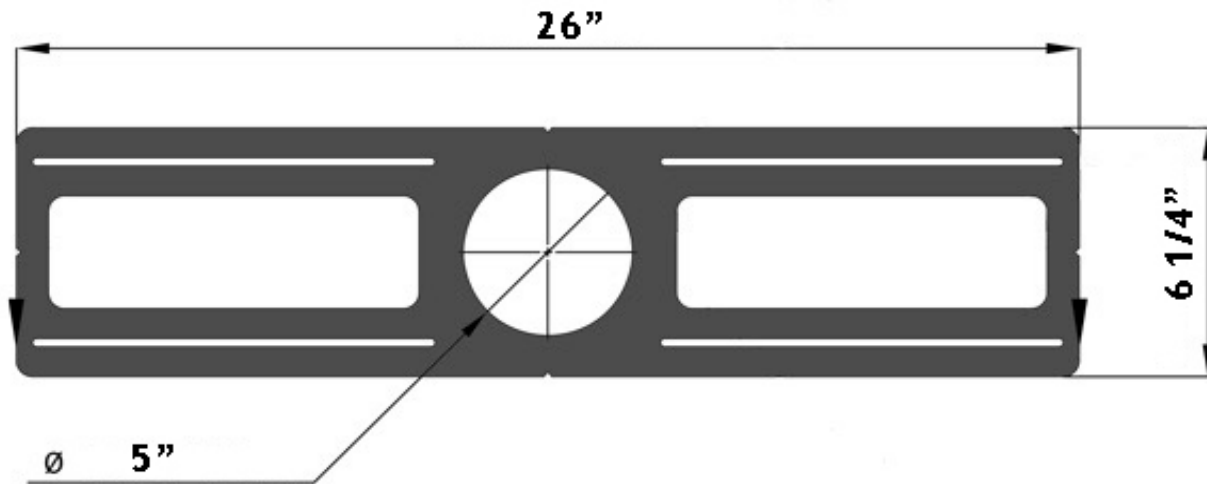
- Made from galvanized steel, 26" long to fit joists up to 24" apart
- Hole diameter 5"
- Plate has alignment notches

MOUNTING

Fix the plate with screws (not supplied) through the mounting slots

COMPATIBLE FIXTURES

- [LRG4](#)
- [LRG4-HO](#)
- [LD4R-5R-SL30](#)
- [LD4R-HO-5R-SL30](#)
- [LRG3-4RSL](#)
- [LRG3-HO-4RSL](#)
- [LSG3-5SSL](#)
- [LSG3-HO-5SSL](#)



ORDERING GUIDE

model # **RIP5**

Lotus LED Lights USA

250 H Street # 301, Blaine WA 98230 tel 360-200-5500
Hainesport NJ, Naples FL, Dallas TX, Vancouver WA

www.LotusLEDLights.com

mailing addresses
warehouses

Lotus LED Lights CANADA

702 Chester Rd, Delta BC V3M 6J1 tel 604-538-3090
Delta BC & Mississauga ON