



RIP6

26" Rough-In Plate for 6" Recessed LED



Project: _____

Location: _____

Qty: _____

Notes: _____

DESCRIPTION

Rough-in plate for new construction pre-mounting of 6" recessed fixtures

FEATURES

Made from galvanized steel, 26" long to fit joists up to 24" apart

Plate has alignment notches

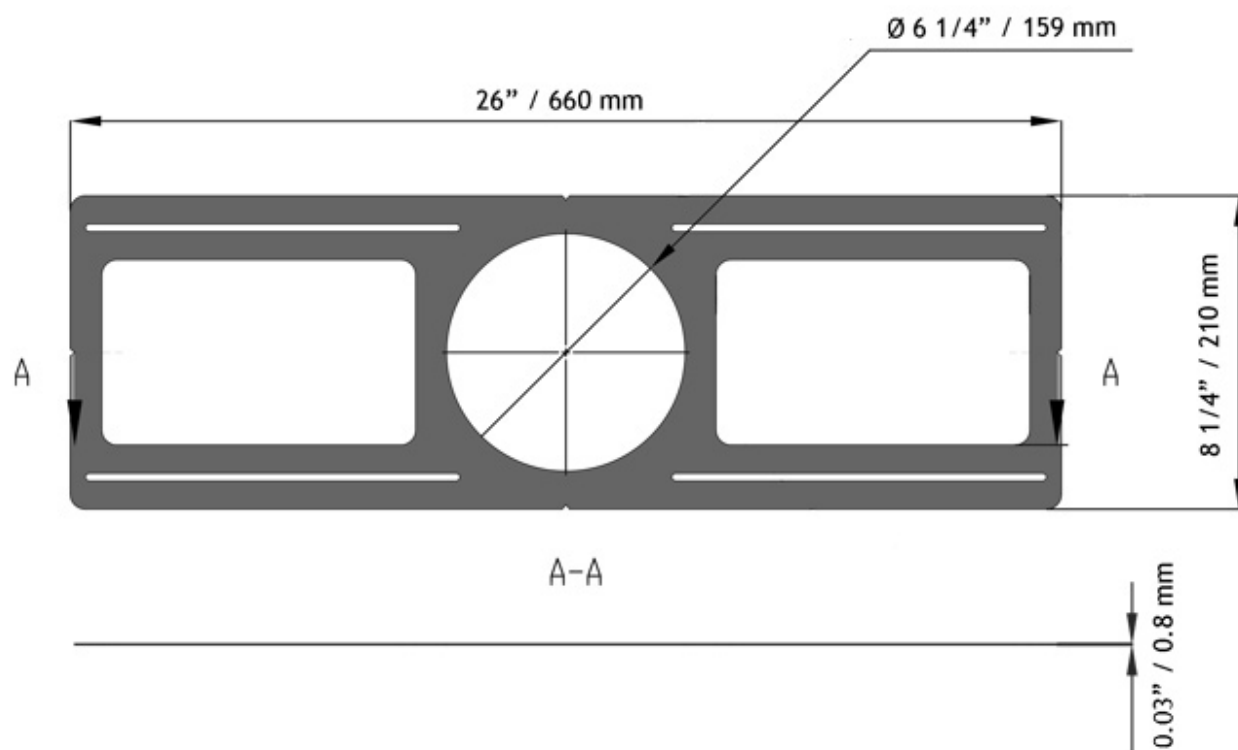
Hole diameter 6 1/4"

MOUNTING

Fix the plate with screws (not supplied) through the mounting slots

COMPATIBLE FIXTURES

- [LRG6](#)
- [LRG6-HO](#)
- [LRG6](#)
- [LRG6-HO](#)
- [LED-6-S15W-FG](#)
- [LL6RR](#)
- [LL6SR](#)
- [LB6R](#)
- [LL6S](#)
- [LD6R](#)
- [LD6R-HO](#)
- [LED-6-S12W](#)
- [LED-6-S12W-5CCT-SQ](#)
- [LED-6-S12W-5CCT-R-BF](#)
- [LL6S](#)
- [LY6S](#)
- [LY6RCS](#)
- [LY61RCD](#)
- [FR-LED-6-S15W-5CCT-FG](#)
- [FR-LED-6-S15W-5CCT-PL](#)



ORDERING GUIDE

model # **RIP6**