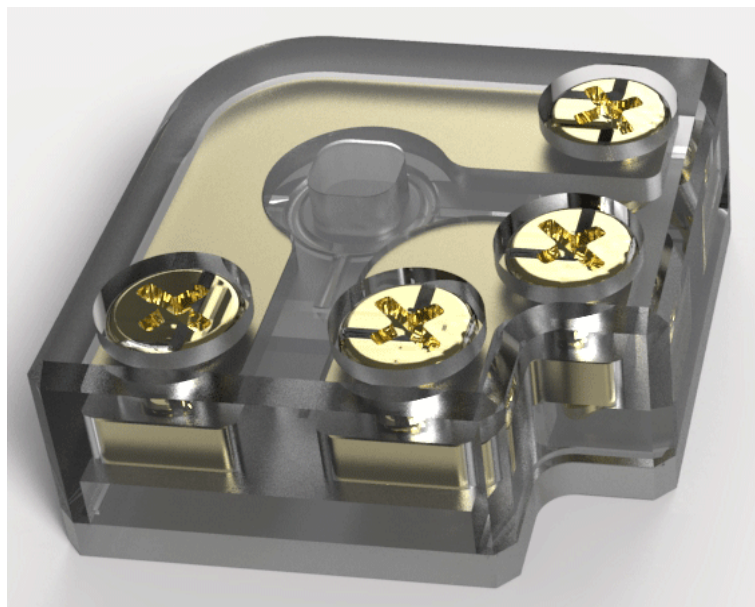




# SC-8-10-TT-9

## Tape to Tape 90° Screw Connector



Project: \_\_\_\_\_

Location: \_\_\_\_\_

Qty: \_\_\_\_\_

Notes: \_\_\_\_\_

### DESCRIPTION

Tape to Tape 90° Screw Connector for 8mm & 10mm tape light

### ORDERING GUIDE

MODEL # **SC-8-10-TT-9**

### INSTALLATION INSTRUCTIONS

Packaging: Individually packaged with installation instructions

### Specification

Input voltage	IP rating	Rated current	Product dimension	Under Materials	Working environment	Installation method
12VDC / 24VDC	IP20	10A	15.4mm*15.4mm*6.6mm	Heat Resistant PC +65% copper	-10°~45°	Screws

### Installation

**1**

1. Unscrew the 4 screws of the connector (A)

**2**

2. Insert the end of LED tape light (B) into the connector opening (A). Align the connection points (B1 & B2) to be right under the screws (A1 & A2)

**3**

3. Screw down the 2 screws (A1 & A2) until firm contact with the LED tape is secured. Do not over tight

**NOTE:**  
These connectors DO NOT FIT into the XC610 aluminum channels that we supply.

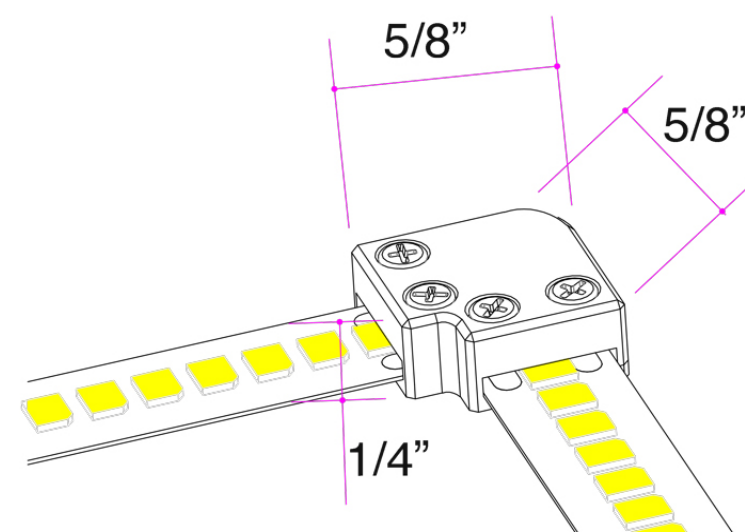
**4**

4. Insert the other end of the tape light and repeat steps 3 & 4. Make sure polarity of both tapes match on both sides of the connector(+ with + and - with -)

**5**

5. Tighten the screws on the second side of the connector.

### DIMENSIONS



Lotus LED Lights USA

250 H Street # 301, Blaine WA 98230 tel 360-200-5500  
Hainesport NJ, Naples FL, Vancouver WA

[www.LotusLEDLights.com](http://www.LotusLEDLights.com)

mailing addresses  
warehouses

Lotus LED Lights CANADA

702 Chester Rd, Delta BC V3M 6J1 tel 604-538-3090  
Delta BC & Mississauga ON