



# SMT-024-096VTDHV2

## 24V Constant Voltage 96W Driver 5-in-1 Dimmable

Project: \_\_\_\_\_

Location: \_\_\_\_\_

Qty: \_\_\_\_\_

Notes: \_\_\_\_\_

### DESCRIPTION

24V 96W class 2 power supply with built-in wiring compartments for line and low voltage connections  
 5-in-1 forward and reverse phase dimming:  
 TRIAC / ELV / MLV, 0-10V, 1-10V, Potentiometer, 10V PWM

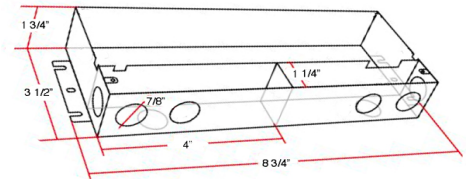
### FEATURES & BENEFITS

- 120V - 277V AC input
- Built-in power factor correction, PF > 0.98
- Protections:  
short circuit, over-voltage, over-heat, over-load
- Multiple knock-outs for easy wiring
- Minimum / Maximum Load: 9.6W / 96W
- 0.5 second start time

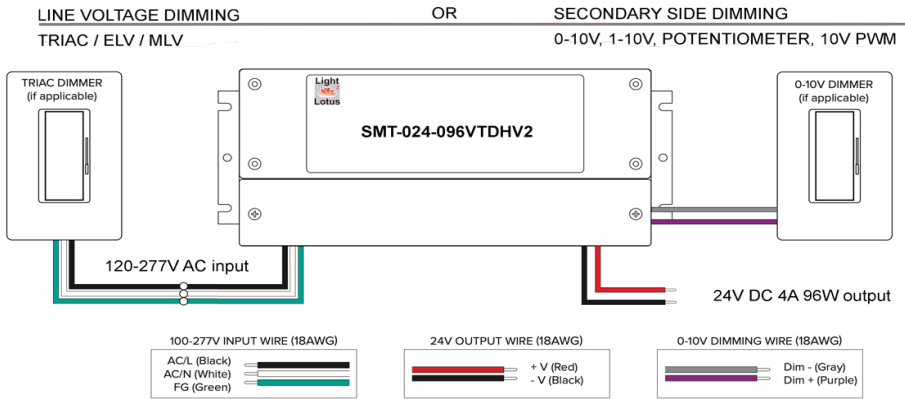
SPECIFICATION	
Applications	LED Tape, 24V Ceiling Fixtures
Power	96 W
Input	120V-277V AC
Output V / A	24V DC / 4A
Dimmability	TRIAC, 0-10V, 1-10V, Pot., 10V PWM
Approved Location	Dry, Damp & Wet Locations
Wiring Volume	8.75 cu in per chamber
Ambient Temperature	-40°F (-40°C) to +140°F (+60°C)
Warranty	7 Year
Certification	c UL us

### DIMENSIONS:

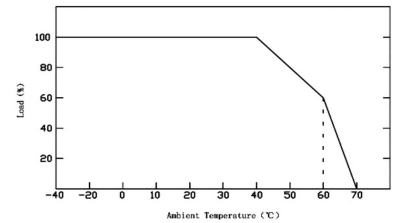
8 3/4" x 3 1/2" x 1 3/4"



### WIRING DIAGRAMS



### Derating Curve - load accordingly



### ORDERING GUIDE SMT-024-096VTDHV2

### COMPLIANCE

Class 2, Type HL, FCC



### WARNING:

Do not exceed ambient temperature range from -40°F (-40°C) to +140°F (+60°C). Please mount in a shaded area or when mounted indoors install in a well-ventilated area. Failure to follow these instructions could lead to overheating, short life and void the warranty.

Lotus LED Lights USA

[www.LotusLEDLights.com](http://www.LotusLEDLights.com)

Lotus LED Lights CANADA

250 H Street # 301, Blaine WA 98230 tel 360-200-5500  
 Hainesport NJ, Naples FL, Dallas TX, Vancouver WA

800-15355 24 Ave Box 200, Surrey BC V4A 2H9 tel 604-538-3090  
 Delta BC & Mississauga ON