

Type IC & Airtight



DESCRIPTION

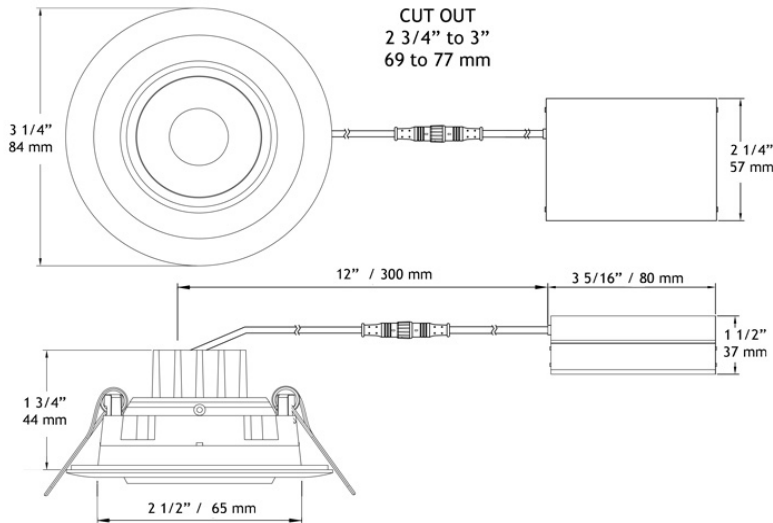
Recessed 3" Gimbal Round LED With Integral Driver In Connection Box.
Fits Where No Other Recessed Fixture Can.
Unique Design: Gimbal Yet Air-Tight Without Housing Needed.

FEATURES & BENEFITS

1 3/4" Thin - Install Where Ceiling Space Is Limited.
Type IC Rated - No Housing Required
Fast & Easy To Install - Save On Labour
Driver Inside Connecton Box - No Junction Box Needed
Directional Beam - Great for Sloped Ceilings and Highlighting Artwork

MOUNTING

Cut Hole In Ceiling And Snap Fixture In Opening With Attached Spring Clips.
Ceiling Clearance Required: 2 1/2" for Romex, 3 1/2" for MC or BX installations



Project: _____

Location: _____

Trim Finish: _____ Qty: _____

Notes: _____

SPECIFICATION	
Applications	Sloped Ceilings, Highlighting Artwork
Energy Used	7.5 W
Colour Temperature	3000° K
Light Output	600 lm
Halogen Equivalent	50 W
Beam Angle	40° Beam with 30° tilt and 360° rotation
CRI	84
Driver Input	120V AC or 277V-347V AC 50/60 Hz
Power Factor	0.98
Dimming	TRIAC Dimmers 10% - 100%
Approved Location	Insulated Ceiling & Damp Locations
Air Tight	Yes
Ambient Temperature	-40° F (-40° C) to +104° F (+40° C)
Projected Life	70% Light Output at 50,000 Hours
Certification	cETLus, Energy Star
Warranty	10 Year on Residential 5 Year on Commercial Applications

Driver Included



COMPLIANCE



White

Brushed Nickel

Black

Warehouses

Vancouver

Toronto

Las Vegas

Naples

Philadelphia

Dallas

CHARACTERISTICS

Unique Design: Gimbal with 30° tilt and 360° rotation, **Yet Air-Tight Without Housing Needed.** Patent Pending.

Body: Durable, Die Cast Aluminum Alloy for Optimal Heat Dissipation.

Paint: Oil Based Spray Painted - Scratch Resistant And Smooth Finish.

LED: Epistar COB Custom Packaged by Hongli Tronic with LM80. Guaranteed 98% Lumen Maintenance After 6,000 Hours.

Strict Binning To Ensure Consistent Light Colour.

Driver: 4th Generation Lotus Designed. **Field Proven Since 2011.**

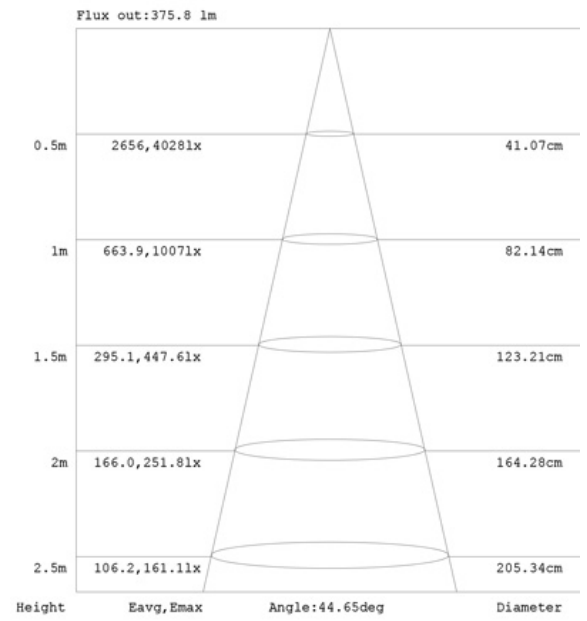
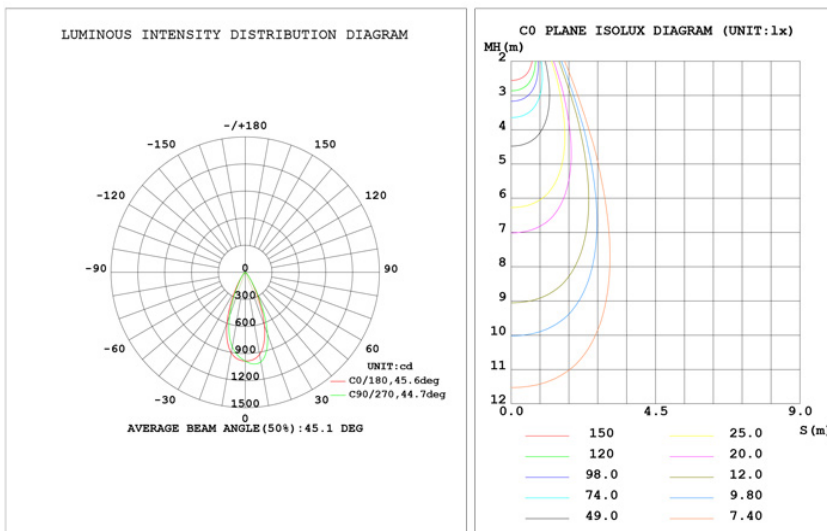
Connection Box: Patented Invention By Lotus LED Lights. Saves Contractors Labour In Installation On Every Job.

Testing: Every Single Driver Is Powered For Minimum 24 Hours Together With The Fixture That It Is Shipped With.

Every LED Is Visually Checked Before And After The PCB Is Mounted On The Fixture. **No Random Tests - We Hand Test Every Fixture & Driver.**

PHOTOMETRIC DATA

Test:U:119.9V I:0.0610A P:7.253W PF:0.9916 Lamp Flux:632.877x1 lm		Eff: 87.25 lm/W			
MODEL	LY3G 30K	I _{max} (cd)	1022	S/MH (C0/180)	0.70
NOMINAL POWER (W)	0	LOR (%)	100.0	S/MH (C90/270)	0.65
RATED VOLTAGE (V)	120	TOTAL FLUX (lm)	632.88	η UP, DN (C0-180)	0.0,54.5
NOMINAL FLUX (lm)	632.877	CIE CLASS	DIRECT	η UP, DN (C180-360)	0.0,45.5
LAMPS INSIDE	1	η up (%)	0.0	CIBSE SHR NOM	0.50
TEST VOLTAGE (V)	120	η down (%)	100.0	CIBSE SHR MAX	0.70



ORDERING GUIDE

Example: LY3G / 30K / WH

LY3G / 30K /

Trim Finish

WH : White

BK : Black

BN : Brushed Nickel

Order 277V - 347V Optional Driver Separately As cat # LLL-LD0716H



ACCESSORIES

Sold Separately



Low Voltage Extension Cables
6ft - cat # EXC6, 20ft - cat # EXC20
Max 40 ft Extension Allowed



Rough-In Plates - cat # RIP3



Goof Ring White OD 4 1/2" - cat # GR3



Warehouses

Vancouver

Toronto

Las Vegas

Naples

Philadelphia

Dallas

tel: 1-844-24-LOTUS (56887)

fax: 1-877-561-6306

www.lotusLEDlights.com