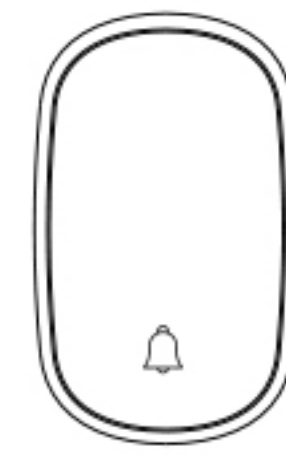
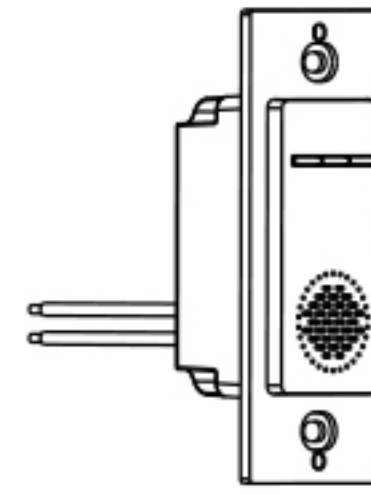


Doorbell Receiver Hard Wired LBL-KDB-R2 User Guide

Introduction



Transmitter



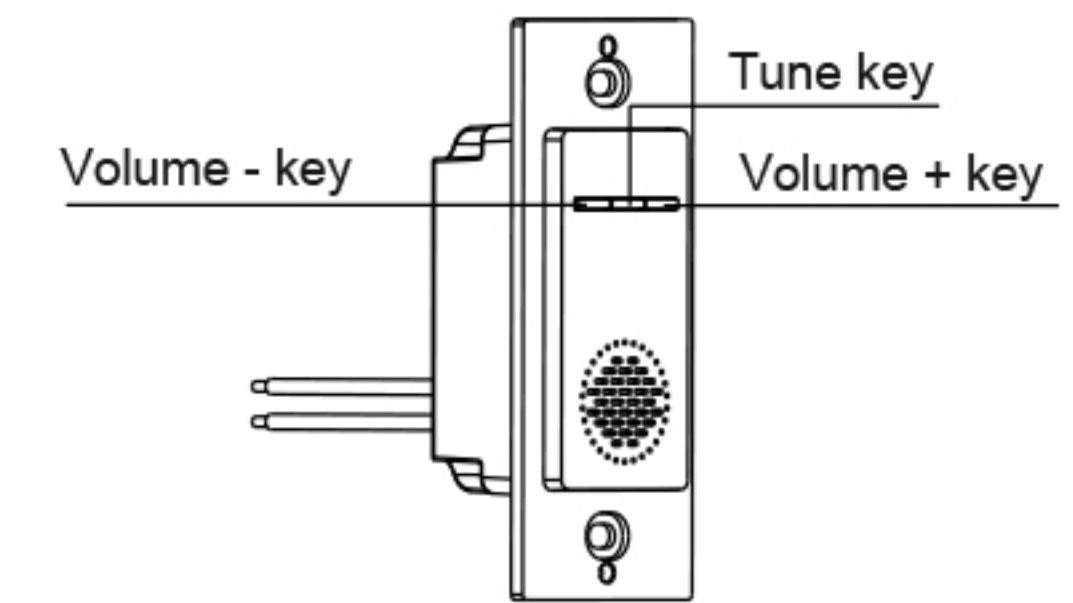
Receiver

Specifications

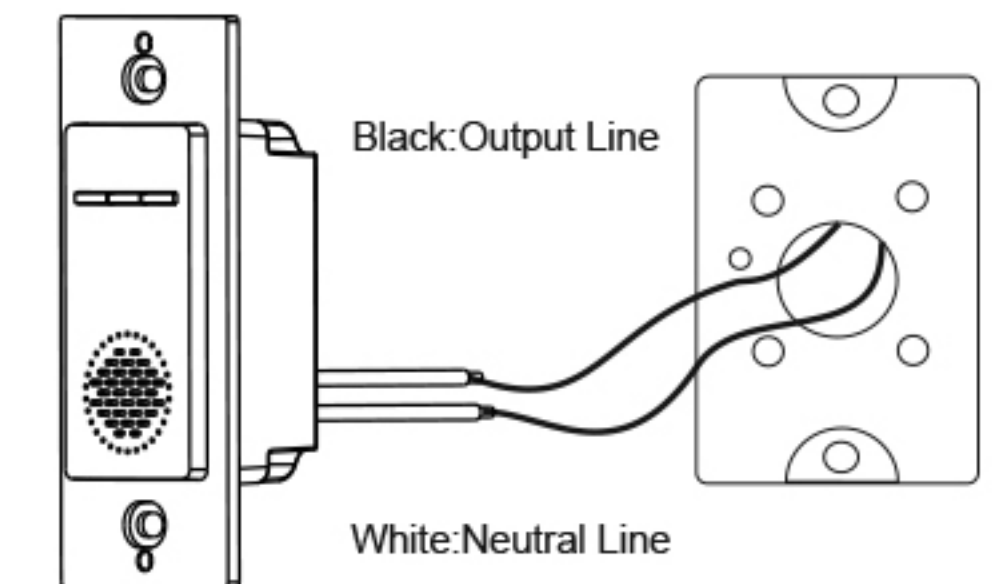
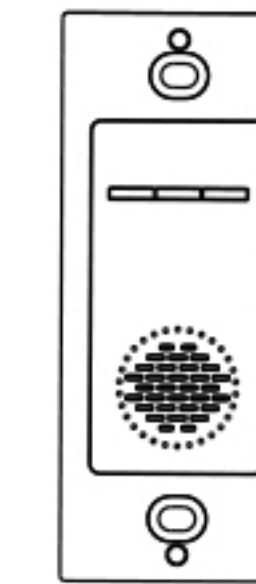
Number of ringtone:	38
Volume level:	4 levels
Control Distance:	100ft
Standby power:	≤0.5W
Voltage Range:	AC100V-240V 50/60HZ
Dimensions:	(4 3/16")*(1 11/16")*(1 3/16")
Wireless Communication:	RF 433Mhz
Storage Capacity:	Max 10 transmitters can be paired with one receiver

Notice: The effective distance is measured by laboratory. In the actual use, it will vary due to environment changes.

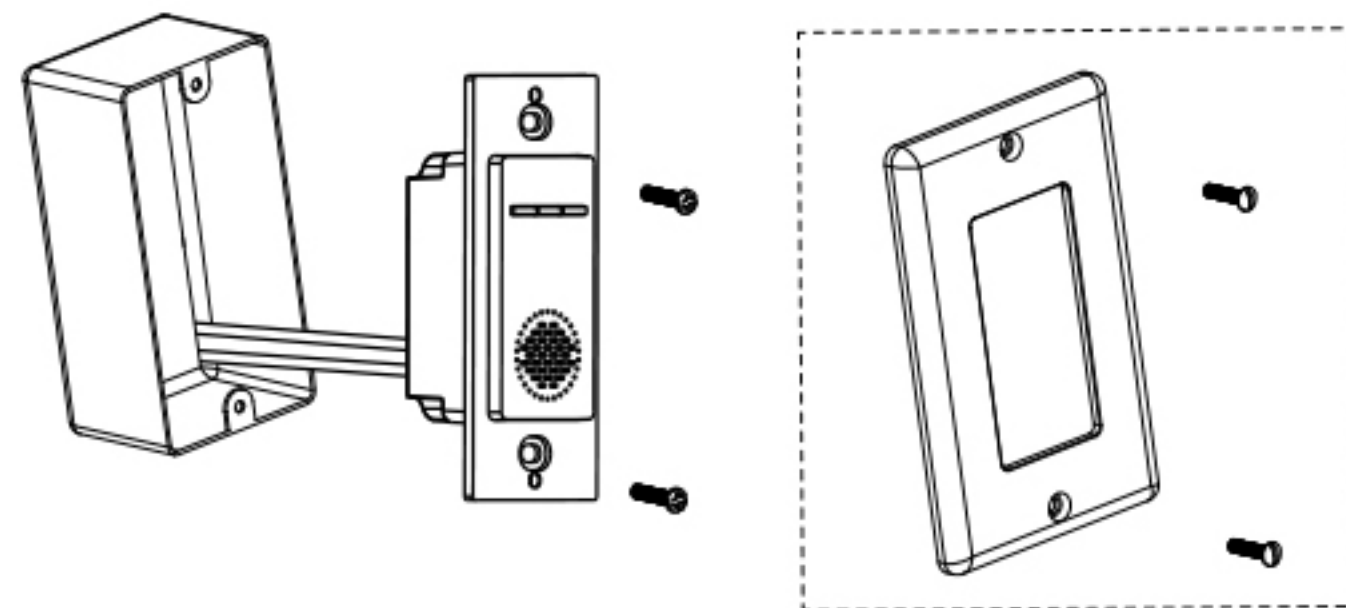
Receiver Key Description



- **Volume - key:** Press the key to reduce the volume, there are 4 levels, the lowest level is mute by default.
- **Tune key:** Press the key to switch ringtones; pair transmitters.
- **Volume + key:** press the key, the volume increases, there are 4 levels.



Use the line cap to wire as shown



Mount the doorbell receiver into the wire box and use wallplate to cover.

* Wallplate need to be purchased separately

Transmitter-Receiver Pairing

Press and hold the Tune key on the doorbell receiver for about 3 seconds until the indicator light on the doorbell receiver flashes slowly (1 time per second), at this time release the key and press the doorbell transmitter once, the indicator light on the receiver will go out, which means that the pairing is successful. After switching the ringtone on the receiver, the transmitter ringtone will be updated accordingly.

Clear pairing

Press and hold the Tune key for 7 seconds until the indicator light turns from flashing to normal light and then off, then release the key. At this time all the pairing information of the doorbell receiver is cleared, If you need to pair again a transmitter to a receiver, use the pairing procedure described above.

Restore default ringtone settings

Press and hold the volume + key on the doorbell receiver for 3 seconds, the indicator light will flash quickly and then release the key, the doorbell receiver will ring the default ringing track and the ringing volume will be the default volume (in the case of single transmitter pairing, the default ringing tone can be restored by the above method. (In case of multiple transmitter pairing, the above method will not restore the ringing music of the transmitter).

Power failure memory

After powering off and on again, the doorbell remembers the last music track and ringing volume set by all transmitters.

Dimension

